



tommafold[®]

Sliding and
Folding Door
Systems



tommafold® Design in Motion

The superior design and build quality of the Tommafold sliding door system will quite literally open the doors of opportunity to your dreams, designs and projects.

The Tommafold system is a wonderful mixture of style and function with incredible build quality, giving not only peace of mind, but great looks too.

The contemporary styled handles with the patented hinge design and sleek flush bolts, all add up to a magnificent style statement that will compliment any building.



Tommafold is an extraordinarily robust system that will allow doors up to 1000mm wide and a weight of up to 120kg per panel.

These incredibly large load capacities coupled with our unique 10 year warranty provide a worry free system that meets the most extreme demands. When used with quality door panels Tommafold is truly a system for all seasons without compromising on style. If you are looking for a stylish way of creating space, read on.





tommafold® Safe and Secure

Security is at the very core of Tommafold and is always at the forefront of the design.

The carrier sets all feature a non-removable, 10mm diameter, solid stainless steel pin giving each carrier unparalleled strength, stability and reliability that you can trust in.

Each easily adjustable pivot set and carrier set features a security locking screw that's only accessible from inside the property preventing burglars from tampering with the ironmongery in an attempt to remove the doors and access your property.



Tommafold folding door systems come with stylish high quality all metal flush bolts, available as locking and non-locking, these firmly hold the door in place and secure the doors from any pressure on the outside.

A Reliance Secured By Design approved multipoint lock is available to fit with the Tommafold door gear, providing a high security locking system.

Years of development has produced an extremely durable and secure product that is easy to install.



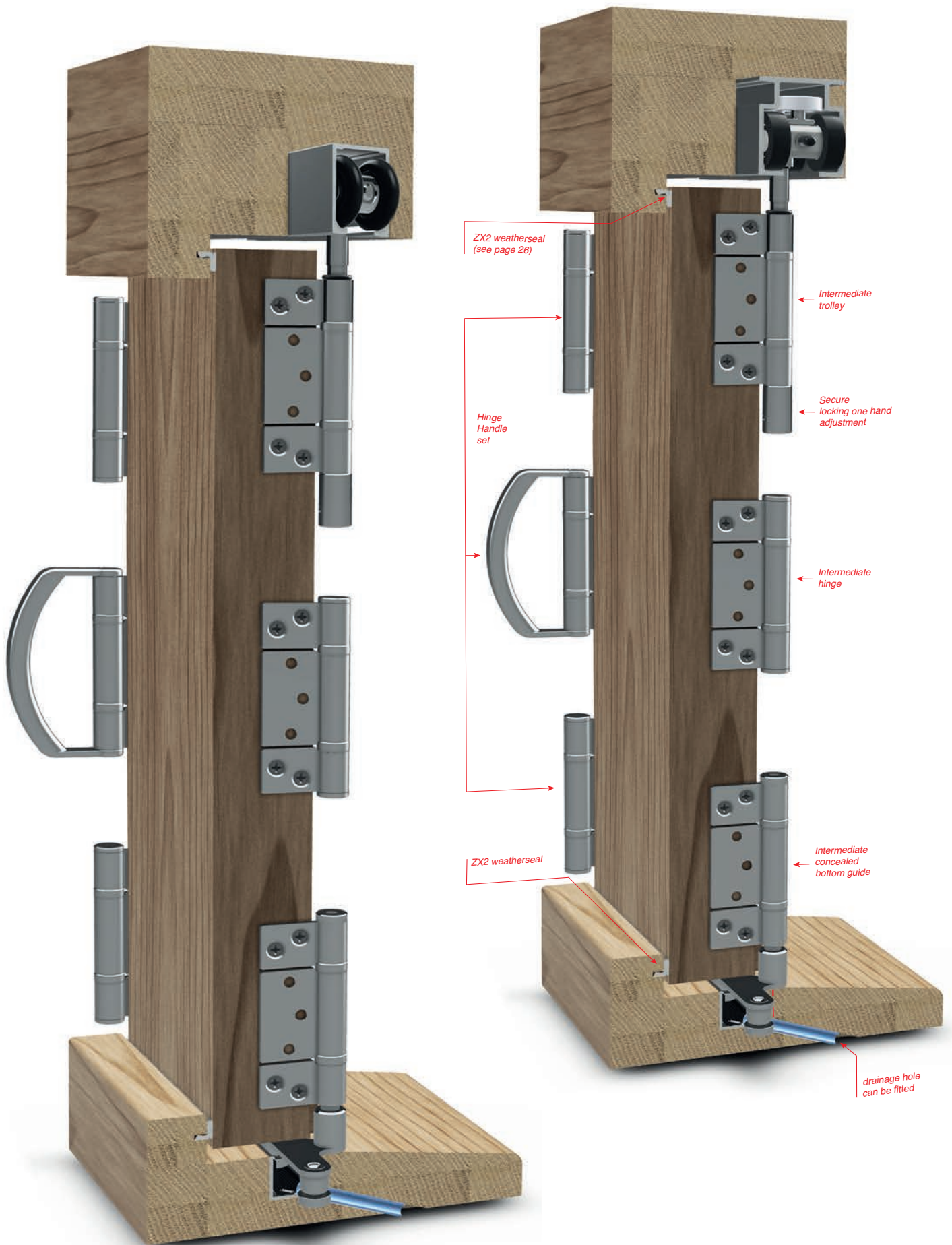
Secured by Design



The Tommafold bi-fold door gear has been accredited by Secured By Design, this is following a review of Tommafold's PAS 24:2016 test report evidence and Tommafold's safety features. Secured By Design is a group of national projects

projects focusing on the design and security of new and refurbished homes, commercial properties and car parks and a police initiative that supports the principles of 'designing out crime' through physical security and processes.

tommafold[®] Architectural Detail





Tommafold 60 has been designed for panels up to 60kg in weight with a maximum leaf width of 1m.

Tommafold 60 has an easy to fit compact top track allowing you to removing less material from the header of the frame and to retain the strength of the timber section used.



tommafold 60

MAX PANEL HEIGHT

3.0
metres

60^{kg}

MAX PANEL WEIGHT

UP TO 16 PANELS

MAX DOOR WIDTH 1M

OPENING UP TO 16M

PANEL THICKNESS
MIN 38MM



Tommafold 90 has been designed for doors up to 120kg in weight with a maximum leaf width of 1m.

Tommafold 90 uses the same hinges, handles, flush bolts and bottom channel as Tommafold 60, making it familiar to existing installers whilst giving peace of mind with the superior weight capacity.



tommafold™ 90

MAX PANEL HEIGHT

3.9
metres

120^{kg}

MAX PANEL WEIGHT

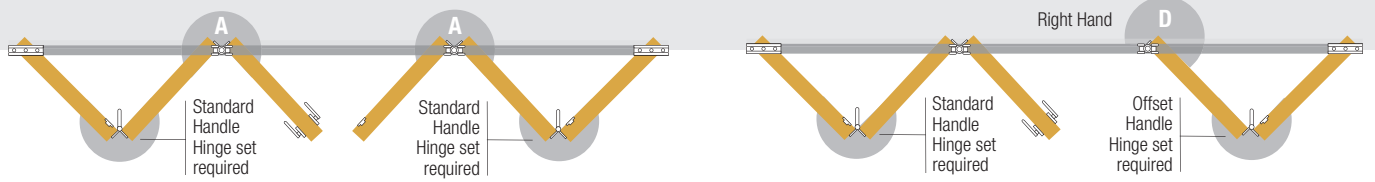
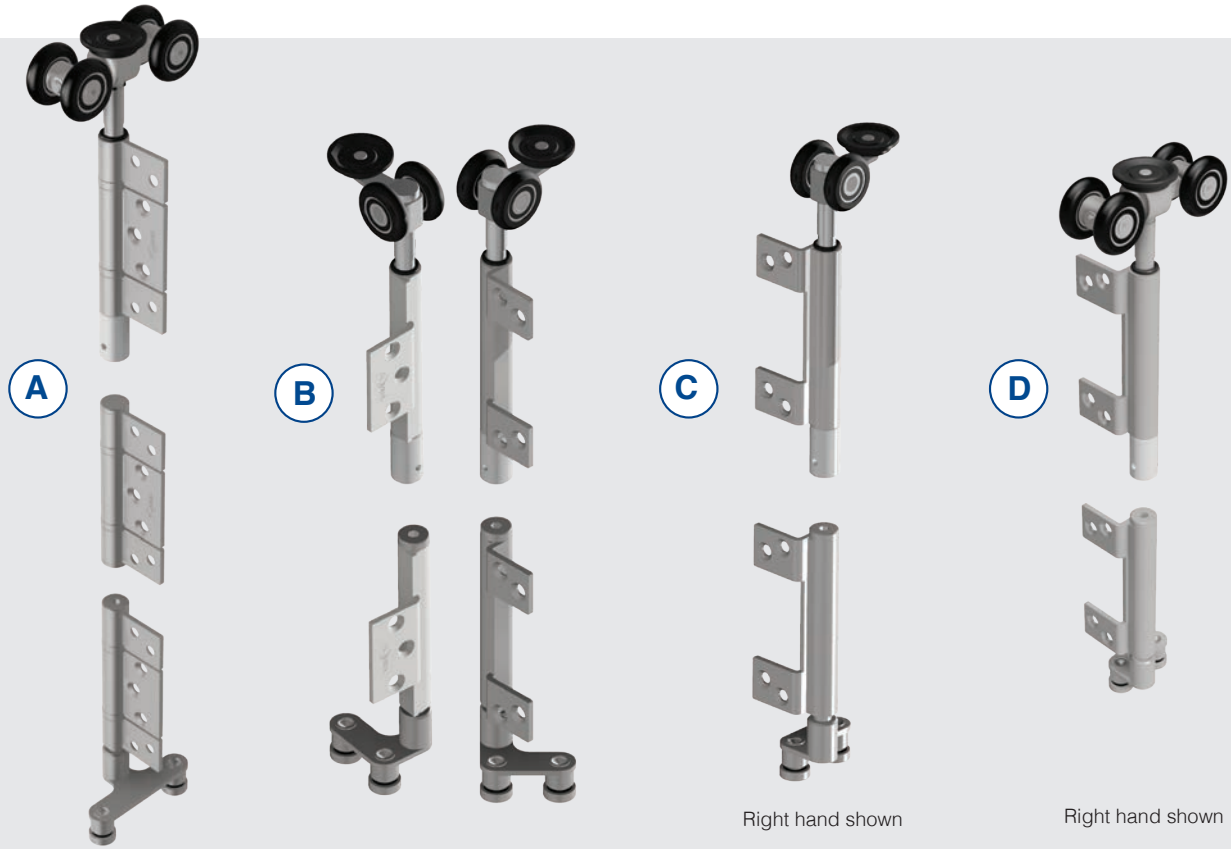
UP TO 16 PANELS

MAX DOOR WIDTH 1M

OPENING UP TO 16M

PANEL THICKNESS
MIN 38MM

tommafold[®] Carrier Sets



Tommafold carrier sets are at the heart of the system's smooth running and reliability. They come standard with full stainless steel componentry with all wheels having precision ground,

A Intermediate Carrier Set

Part No.	Finish
62-400-PB	Polished Brass
62-400-PSS	Polished Stainless
62-400-SS	Satin Stainless
62-400-BK	Black

B Meeting Carrier Set

Part No.	Finish
62-200M-PB	Polished Brass
62-200M-PSS	Polished Stainless
62-200M-SS	Satin Stainless
62-200M-BK	Black

C Offset End Carrier Set

Part No.	Finish
Left Hand	
62-200L-PB	Polished Brass
62-200L-PSS	Polished Stainless
62-200L-SS	Satin Stainless
62-200L-BK	Black
Right Hand	
62-200R-PB	Polished Brass
62-200R-PSS	Polished Stainless
62-200R-SS	Satin Stainless
62-200R-BK	Black

D 4 Wheel Offset End Carrier Set

Part No.	Finish
Left Hand	
62-491L-PB	Polished Brass
62-491L-PSS	Polished Stainless
62-491L-SS	Satin Stainless
62-491L-BK	Black
Right Hand	
62-493R-PB	Polished Brass
62-493R-PSS	Polished Stainless
62-493R-SS	Satin Stainless
62-493R-BK	Black

tommafold

60

MAX PANEL HEIGHT

3.0
metres

60^{kg}

MAX PANEL WEIGHT

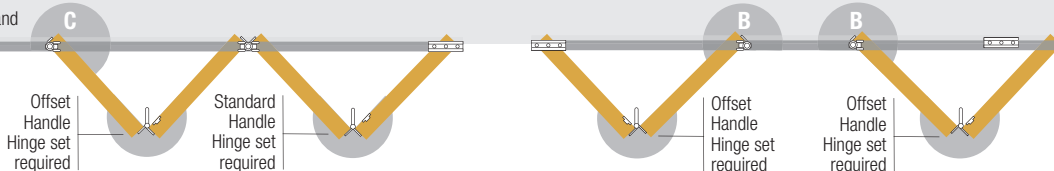
UP TO 16 PANELS

MAX DOOR WIDTH 1M

OPENING UP TO 16M

PANEL THICKNESS
MIN 38MM

Right Hand



A Intermediate Carrier Set

Part No.	Finish
92-400-PB	Polished Brass
92-400-PSS	Polished Stainless
92-400-SS	Satin Stainless
92-400-BK	Black

B Meeting Carrier Set

Part No.	Finish
92-200M-PB	Polished Brass
92-200M-PSS	Polished Stainless
92-200M-SS	Satin Stainless
92-200M-BK	Black

C Offset End Carrier Set

Part No.	Finish
Left Hand	
92-200L-PB	Polished Brass
92-200L-PSS	Polished Stainless
92-200L-SS	Satin Stainless
92-200L-BK	Black
Right Hand	
92-200R-PB	Polished Brass
92-200R-PSS	Polished Stainless
92-200R-SS	Satin Stainless
92-200R-BK	Black

D 4 Wheel Offset End Carrier Set

Part No.	Finish
Left Hand	
92-491L-PB	Polished Brass
92-491L-PSS	Polished Stainless
92-491L-SS	Satin Stainless
92-491L-BK	Black
Right Hand	
92-493R-PB	Polished Brass
92-493R-PSS	Polished Stainless
92-493R-SS	Satin Stainless
92-493R-BK	Black

tommafold™

90

MAX PANEL HEIGHT

3.9
metres

120^{kg}

MAX PANEL WEIGHT

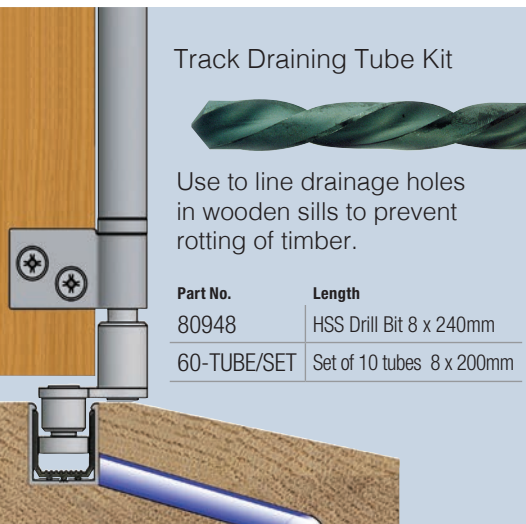
UP TO 16 PANELS

MAX DOOR WIDTH 1M

OPENING UP TO 16M

PANEL THICKNESS
MIN 38MM

tommafold® Pivot Sets



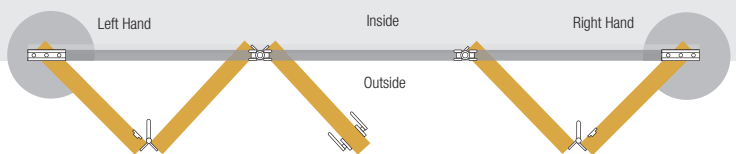
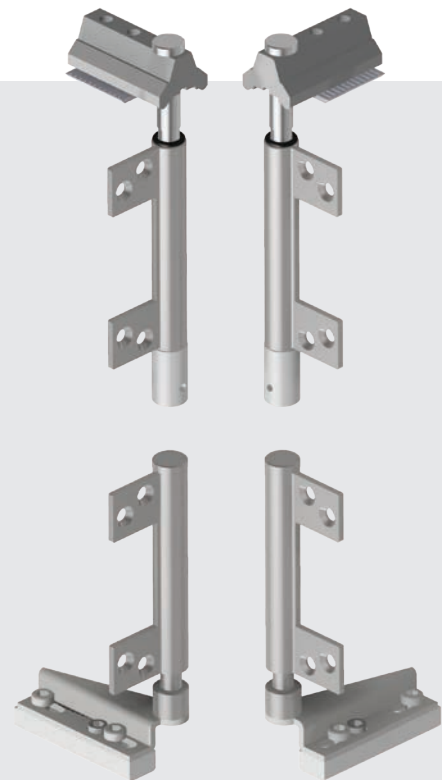
Track Draining Tube Kit

Use to line drainage holes in wooden sills to prevent rotting of timber.

Part No.	Length
80948	HSS Drill Bit 8 x 240mm
60-TUBE/SET	Set of 10 tubes 8 x 200mm

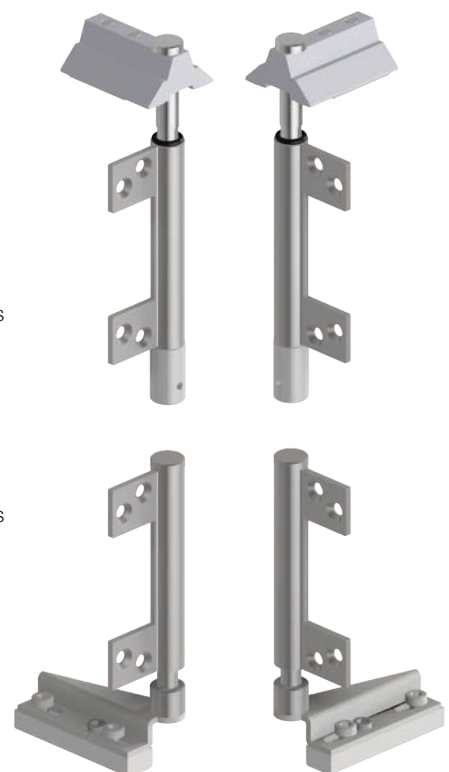
Pivot Set

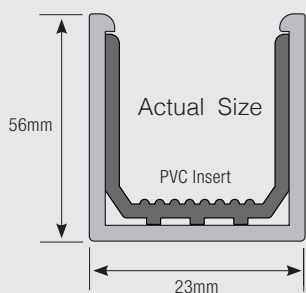
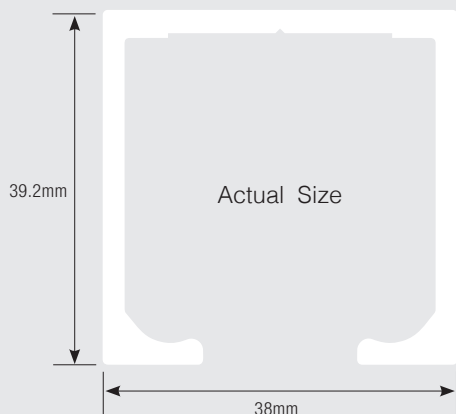
Part No.	Length
Left Hand	
62-101-PB	Polished Brass
62-101-PSS	Polished Stainless
62-101-SS	Satin Stainless
62-101-BK	Black
Right Hand	
62-103-PB	Polished Brass
62-103-PSS	Polished Stainless
62-103-SS	Satin Stainless
62-103-BK	Black



Pivot Set

Part No.	Length
Left Hand	
92-101-PB	Polished Brass
92-101-PSS	Polished Stainless
92-101-SS	Satin Stainless
92-101-BK	Black
Right Hand	
92-103-PB	Polished Brass
92-103-PSS	Polished Stainless
92-103-SS	Satin Stainless
92-103-BK	Black





Top Track

Aluminium Top Track Pre-drilled
300mm centres and countersunk

Part No.	Length
60-TT2000-SAA	2000mm
60-TT3000-SAA	3000mm
60-TT4000-SAA	4000mm
60-TT6000-SAA	6000mm

Bottom Track

Aluminium Concealed
Bottom Track
Black PVC insert

Part No.	Length
62-BT2000-SAA	2000mm
62-BT3000-SAA	3000mm
62-BT4000-SAA	4000mm
62-BT6000-SAA	6000mm

tommafold

60

MAX PANEL HEIGHT

3.0
metres

60^{kg}

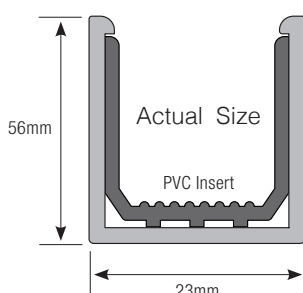
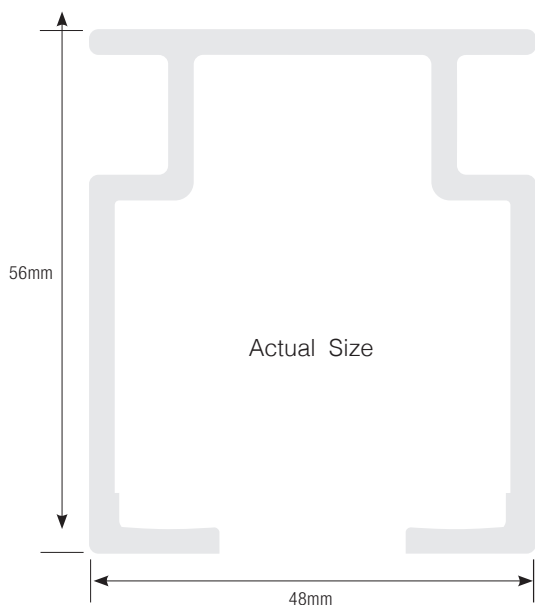
MAX PANEL WEIGHT

UP TO 16 PANELS

MAX DOOR WIDTH 1M

OPENING UP TO 16M

PANEL THICKNESS
MIN 38MM



Top Track

Aluminium Top Track Pre-drilled
300mm centres and countersunk

Part No.	Length
60-TT2000-SAA	2000mm
60-TT3000-SAA	3000mm
60-TT4000-SAA	4000mm
60-TT6000-SAA	6000mm

Bottom Track

Aluminium Concealed
Bottom Track
Black PVC insert

Part No.	Length
62-BT2000-SAA	2000mm
62-BT3000-SAA	3000mm
62-BT4000-SAA	4000mm
62-BT6000-SAA	6000mm

tommafold™

90

MAX PANEL HEIGHT

3.9
metres

120^{kg}

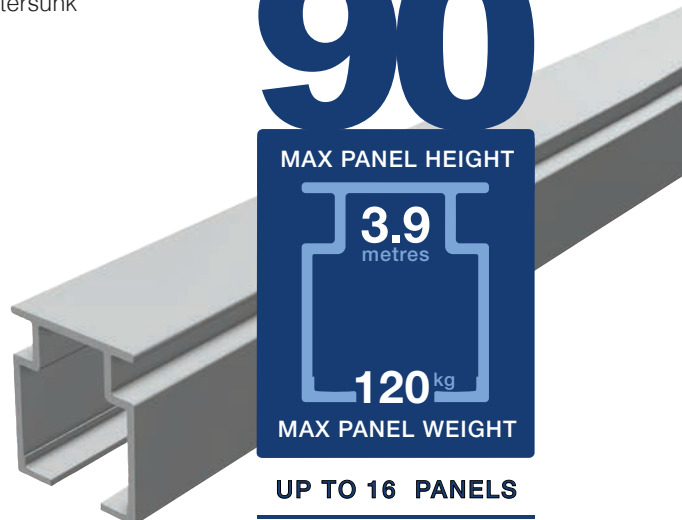
MAX PANEL WEIGHT

UP TO 16 PANELS

MAX DOOR WIDTH 1M

OPENING UP TO 16M

PANEL THICKNESS
MIN 38MM

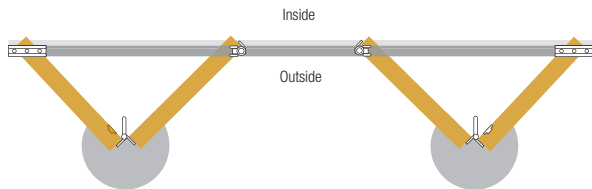


tommafold® Flush Bolts



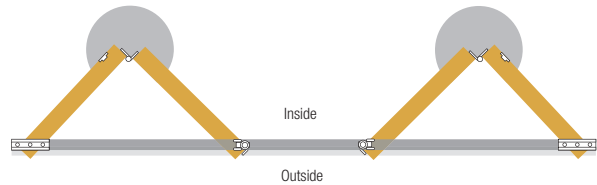
Straight Flush Bolts for Outward Opening Doors

Part No.	Size	Finish
Locking		
60-FBL200L-PB	200mm	Polished Brass
60-FBL200L-PSS	200mm	Polished Stainless
60-FBL200L-SS	200mm	Satin Stainless
60-FBL200L-BK	200mm	Black
60-FBL400L-PB	400mm	Polished Brass
60-FBL400L-PSS	400mm	Polished Stainless
60-FBL400L-SS	400mm	Satin Stainless
60-FBL400L-BK	400mm	Black
60-FBL600L-PB	600mm	Polished Brass
60-FBL600L-PSS	600mm	Polished Stainless
60-FBL600L-SS	600mm	Satin Stainless
60-FBL600L-BK	600mm	Black



Offset Flush Bolts for Inward Opening Doors

Part No.	Size	Finish
Locking		
60-FBL201L-PB	200mm	Polished Brass
60-FBL201L-PSS	200mm	Polished Stainless
60-FBL201L-SS	200mm	Satin Stainless
60-FBL201L-BK	200mm	Black
60-FBL401L-PB	400mm	Polished Brass
60-FBL401L-PSS	400mm	Polished Stainless
60-FBL401L-SS	400mm	Satin Stainless
60-FBL401L-BK	400mm	Black
60-FBL601L-PB	600mm	Polished Brass
60-FBL601L-PSS	600mm	Polished Stainless
60-FBL601L-SS	600mm	Satin Stainless
60-FBL601L-BK	600mm	Black



Part No.	Size	Finish
Non-Locking		
60-FBL200NL-PB	200mm	Polished Brass
60-FBL200NL-PSS	200mm	Polished Stainless
60-FBL200NL-SS	200mm	Satin Stainless
60-FBL200NL-BK	200mm	Black
60-FBL400NL-PB	400mm	Polished Brass
60-FBL400NL-PSS	400mm	Polished Stainless
60-FBL400NL-SS	400mm	Satin Stainless
60-FBL400NL-BK	400mm	Black
60-FBL600NL-PB	600mm	Polished Brass
60-FBL600NL-PSS	600mm	Polished Stainless
60-FBL600NL-SS	600mm	Satin Stainless
60-FBL600NL-BK	600mm	Black



Part No.	Size	Finish
Non-Locking		
60-FBL201NL-PB	200mm	Polished Brass
60-FBL201NL-PSS	200mm	Polished Stainless
60-FBL201NL-SS	200mm	Satin Stainless
60-FBL201NL-BK	200mm	Black
60-FBL401NL-PB	400mm	Polished Brass
60-FBL401NL-PSS	400mm	Polished Stainless
60-FBL401NL-SS	400mm	Satin Stainless
60-FBL401NL-BK	400mm	Black
60-FBL601NL-PB	600mm	Polished Brass
60-FBL601NL-PSS	600mm	Polished Stainless
60-FBL601NL-SS	600mm	Satin Stainless
60-FBL601NL-BK	600mm	Black

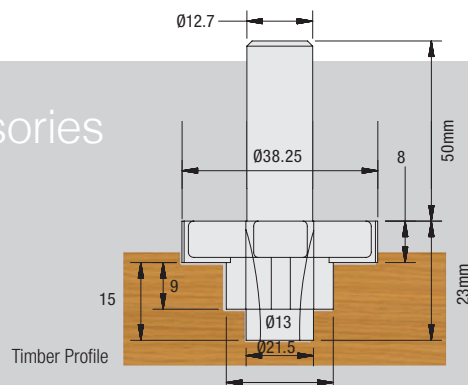


Flush Bolts Accessories

Flush Bolt Keeps

Black PVC

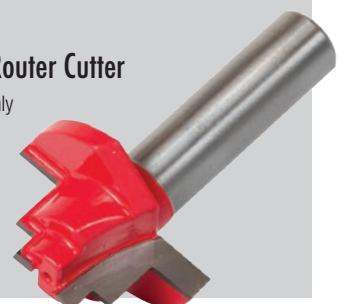
Part No.
60-FBK-200



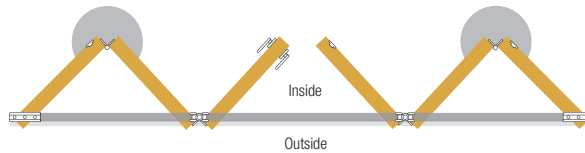
Flush Bolt Router Cutter

Fits bolts with only one router pass
1/2" shank

Part No.
60-RT002

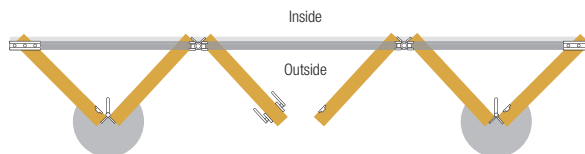


tommafold® Hinge Sets



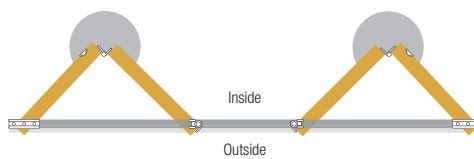
Hinge Set Without Handle

Part No.	Size	Finish
60-300-PB	200mm	Polished Brass
60-300-PSS	200mm	Polished Stainless
60-300-SS	200mm	Satin Stainless
60-300-BK	200mm	Black



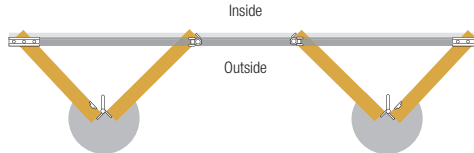
Hinge Set With Handle

Part No.	Size	Finish
60-320-PB	200mm	Polished Brass
60-320-PSS	200mm	Polished Stainless
60-320-SS	200mm	Satin Stainless
60-320-BK	200mm	Black



Offset Hinge Set Without Handle

Part No.	Size	Finish
60-350-PB	200mm	Polished Brass
60-350-PSS	200mm	Polished Stainless
60-350-SS	200mm	Satin Stainless
60-350-BK	200mm	Black



Offset Hinge Set With Handle

Part No.	Size	Finish
60-370-PB	200mm	Polished Brass
60-370-PSS	200mm	Polished Stainless
60-370-SS	200mm	Satin Stainless
60-370-BK	200mm	Black

Manufactured using high quality grade stainless steel, these hinge sets and hinge/handle sets are available in four different finishes. The polished stainless, satin stainless, polished brass and black finishes offer a style for everyone and allows the Tommafold to be used in a variety of settings from traditional to contemporary.

Extra Hinges



Standard Hinge



Part No.	Finish
60-301-PB	Polished Brass
60-301-PSS	Polished Stainless
60-301-SS	Satin Stainless
60-301-BK	Black



Offset Hinge



Part No.	Finish
60-351-PB	Polished Brass
60-351-PSS	Polished Stainless
60-351-SS	Satin Stainless
60-351-BK	Black

Extra Handles



Standard Handle



Part No.	Finish
60-321-PB	Polished Brass
60-321-PSS	Polished Stainless
60-321-SS	Satin Stainless
60-321-BK	Black



Offset Handle



Part No.	Finish
60-371-PB	Polished Brass
60-371-PSS	Polished Stainless
60-371-SS	Satin Stainless
60-371-BK	Black



Single Leaf Pull Handle

For inward opening bifold door sets where a pull handle is required.

Standard Handle



Part No.	Finish
62-321-SS	Satin Stainless

Offset Handle



Part No.	Finish
62-371-SS	Satin Stainless

Doors over 2200mm high will require an additional hinge as well as a standard 3 hinge set. These are available as either standard or offset hinges.

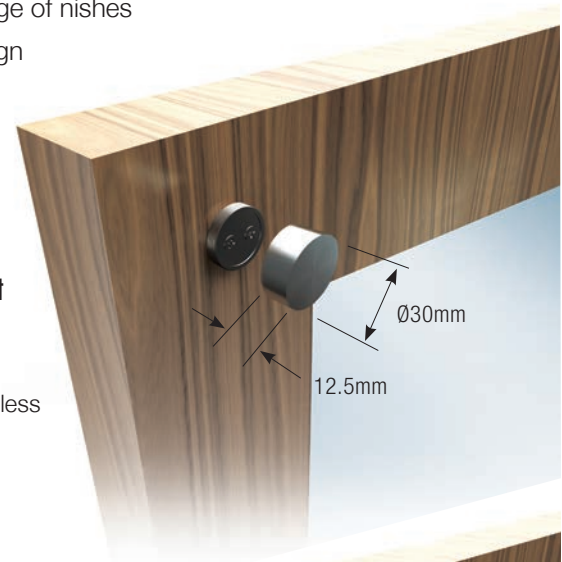
Magnetic Door Stop



- Bi-fold interleaf mounting
- External or internal door stop
- Suitable for Timber or Aluminium
- Concealed magnets in Stainless Steel casement to avoid visible corrosion
- 2 convenient lengths
- Suitable for new and existing applications
- Easy to install secure 2 point locking system
- Comprehensive range of nishes
- Smooth stylish design

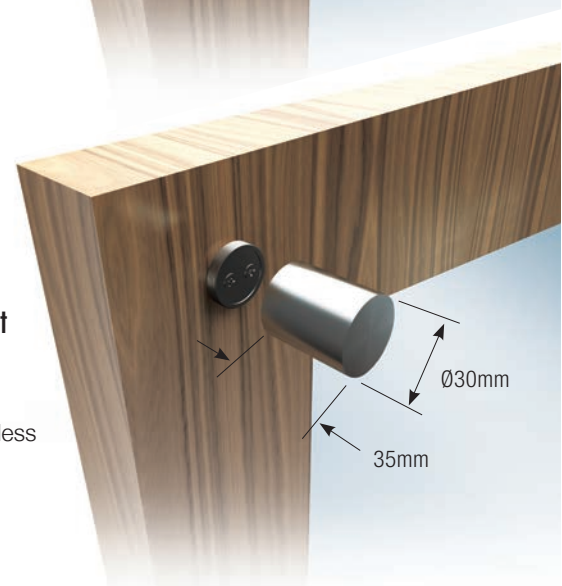
Panel to Panel Concealed Magnet Set

Part No.	Finish
10-1110	Satin Stainless



Access Panel Concealed Magnet Set

Part No.	Finish
10-1100	Satin Stainless

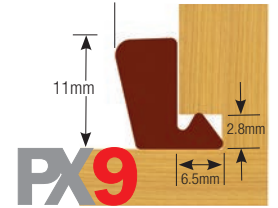
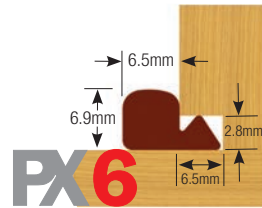
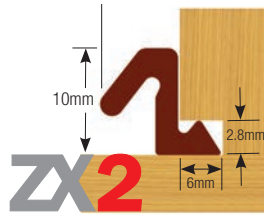


tommafold[®] Storm Seals

High Performance P.U. foam core has excellent recovery properties, even after long term deflection.



- Working temperature range -40 deg C to +70 deg C.
- Thick polyethylene outer sheathing provides superior protection against wear and tear.
- Excellent sealing properties even during seasonal movement of seal gap.
- UV stable - will not fade or discolour
- Resistant to paints, stains, mildew and mould growth.
- Lifetime Guarantee



Part No.	Length	Colour
GSM 480 10M	10m	White
GSM 481 10M	10m	Brown
GSM 480 25M	25m	White
GSM 480 25M	25m	Brown

Rolls

GSM 500	250m	White
GSM 501	250m	Brown
GSM 513	250m	Black

Part No.	Length	Colour
GSM 482 10M	10m	White
GSM 483 10M	10m	Brown
GSM 482 25M	25m	White
GSM 483 25M	25m	Brown

Rolls

GSM 502	350m	White
GSM 503	350m	Brown
GSM 514	350m	Black

Part No.	Length	Colour
GSM 486 10M	10m	White
GSM 487 10M	10m	Brown
GSM 486 25M	25m	White
GSM 487 25M	25m	Brown

Rolls

GSM 504	250m	White
GSM 505	250m	Brown
GSM 515	250m	Black



Sill

Aluminium Self-draining Sill
Available in SAA, Brown or Black
Black PVC insert



Part No.	Length	Part No.	Length	Part No.	Length
SAA		Brown		Black	
62-S3000-SAA	3000mm	62-S3000-BR	3000mm	62-S3000-BLK	3000mm
62-S4000-SAA	4000mm	62-S4000-BR	4000mm	62-S4000-BLK	4000mm
62-S6000-SAA	6000mm	62-S6000-BR	6000mm	62-S6000-BLK	6000mm

tommafold® Multilocks

The easy-to-fit twin deadbolt Reliance D10 and D11 multipoint locking systems have been especially designed to give increased tolerances for door installers, allowing for upto 50% greater fitting tolerances and also for greater material movement associated with certain hardwoods.

The twin deadbolts have a 20mm throw that fully penetrate the keep rail helping to prevent the frame and sash being forced apart.

This impressive locking system has 5 deadbolts incorporating twin deadbolts in the upper and lower positions, providing high security levels and peace of mind.

The solid twin deadbolts in the upper and lower positions are bevelled on both sides giving the ability to draw the door up giving perfect compression to the joinery seal when the deadbolts are inserted into the keeps.



RELIANCE D10

Minimum door height 1934mm with spindle height of 1050mm
(a lower minimum door height of 1810mm can be achieved by reducing the spindle height)

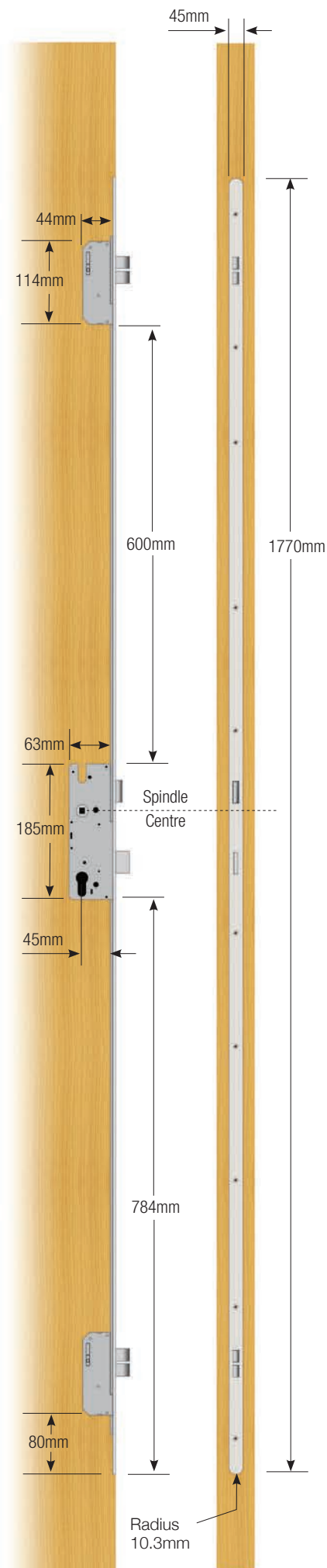
20mm radius end faceplate

'Secured by Design' approved.
Tested to **PAS24** and forthcoming **EN14351-1:2006** standard

Manufactured by Winkhaus

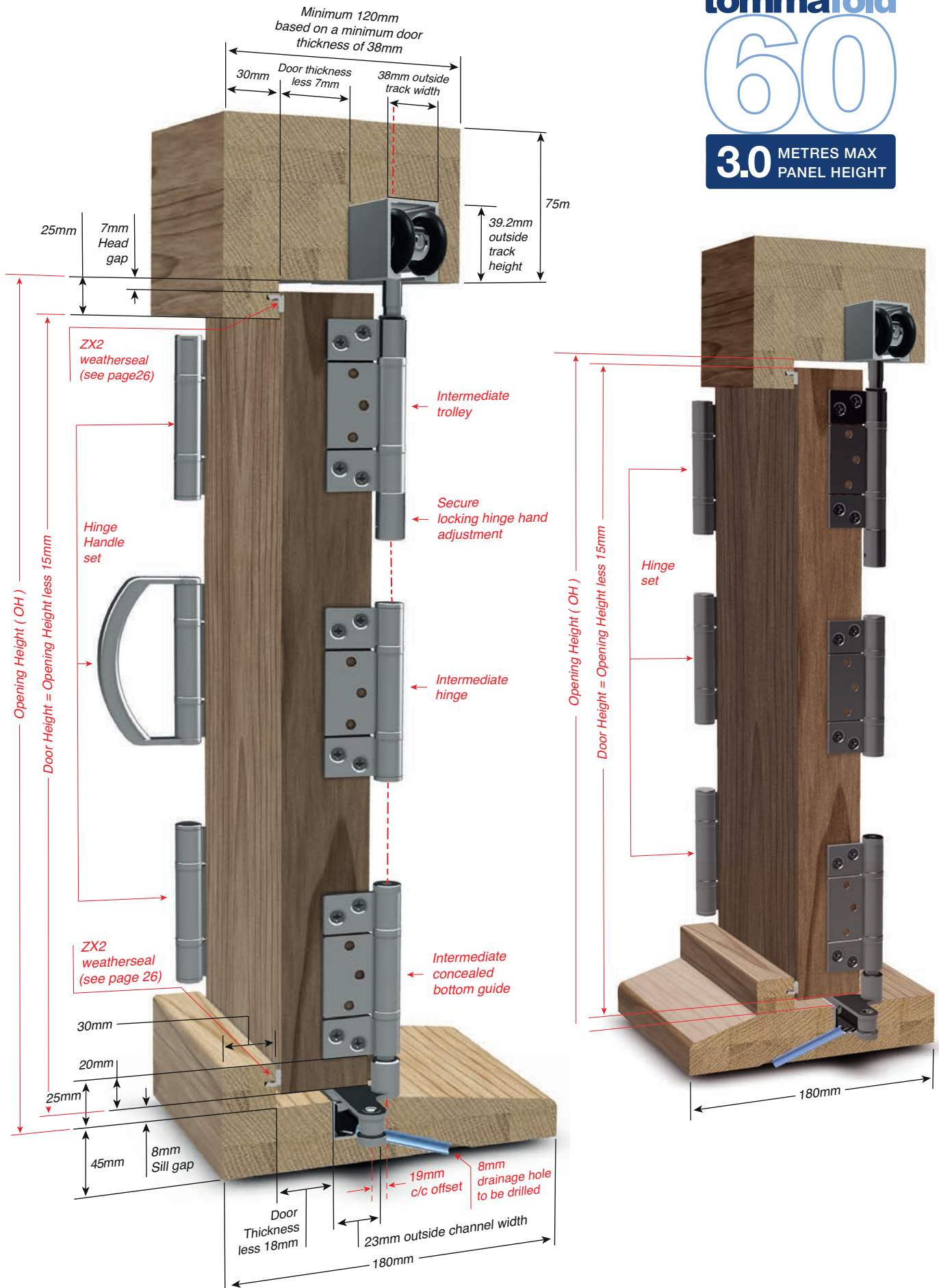
45mm and 55mm backset available on D10
(45mm only on D11)

To view the full
RELIANCE
reliance range of multilocks,
visit pages 74-87



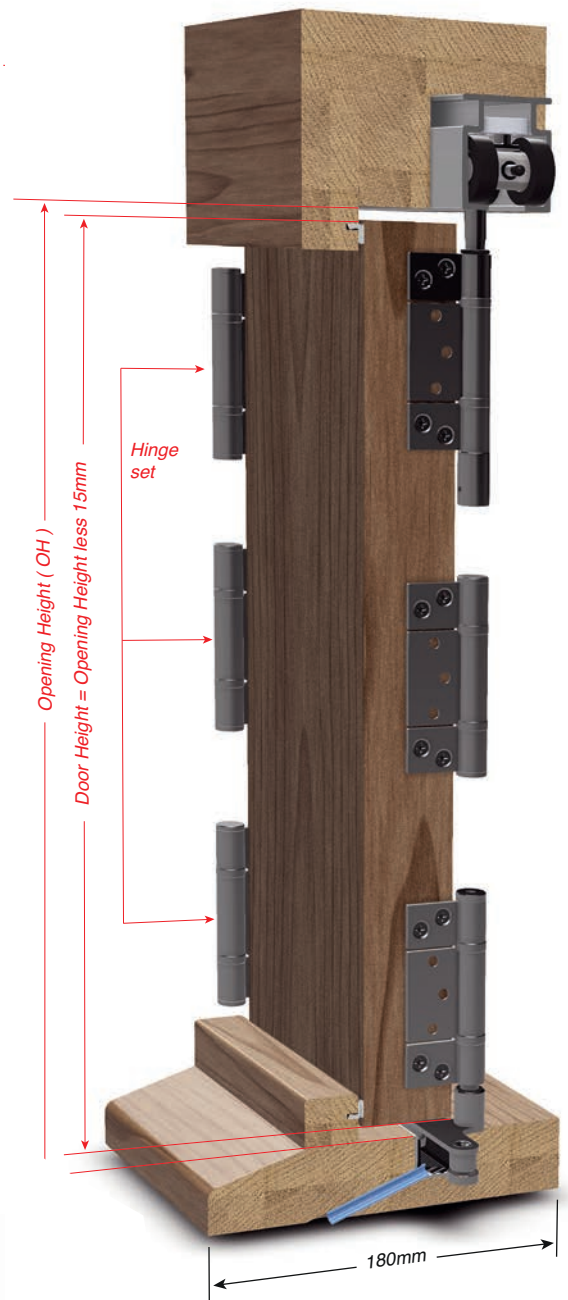
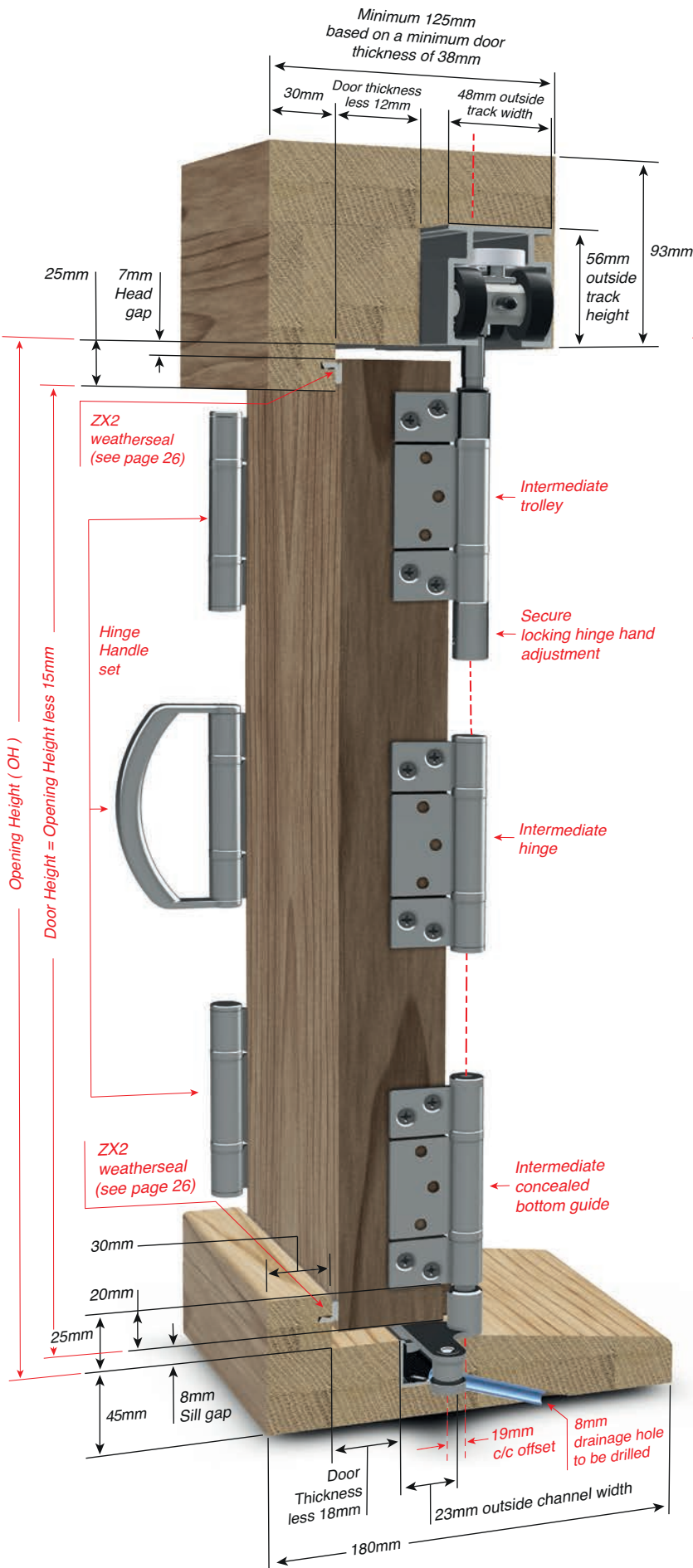
tommafold[®] Dimensions, Fittings and Options

tommafold
60
3.0 METRES MAX
PANEL HEIGHT



For your reference, see below for critical manufacturing dimensions.
 Feel free to call if you have any questions or queries on 01280 822062.

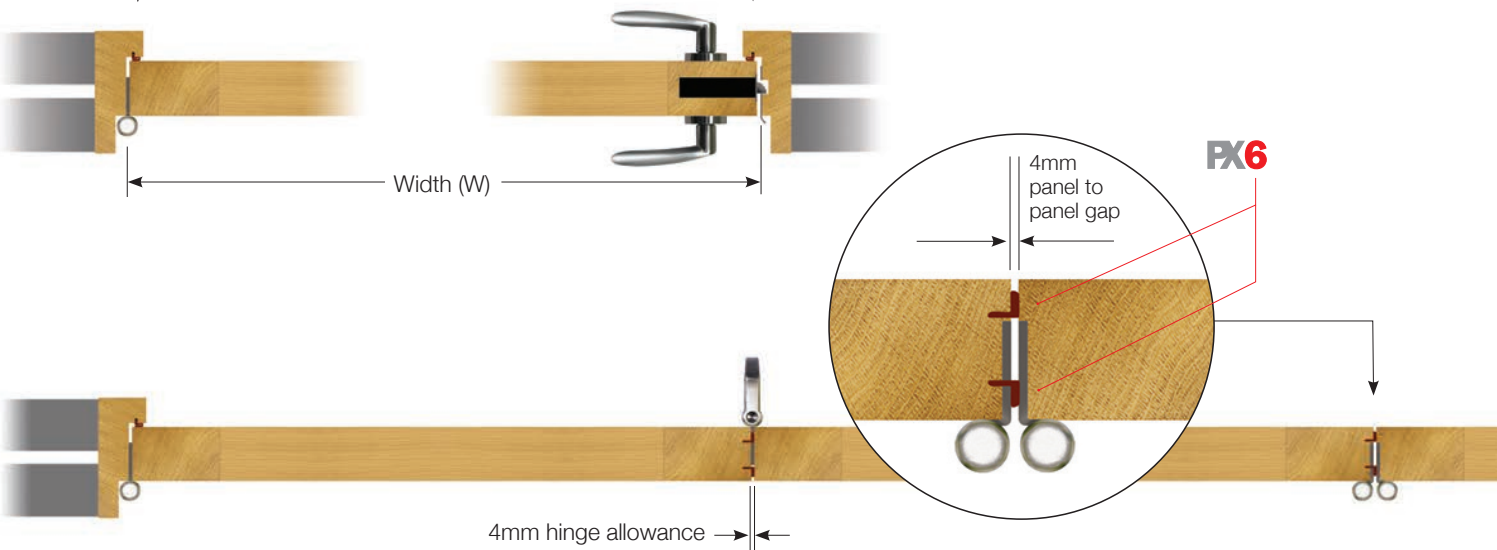
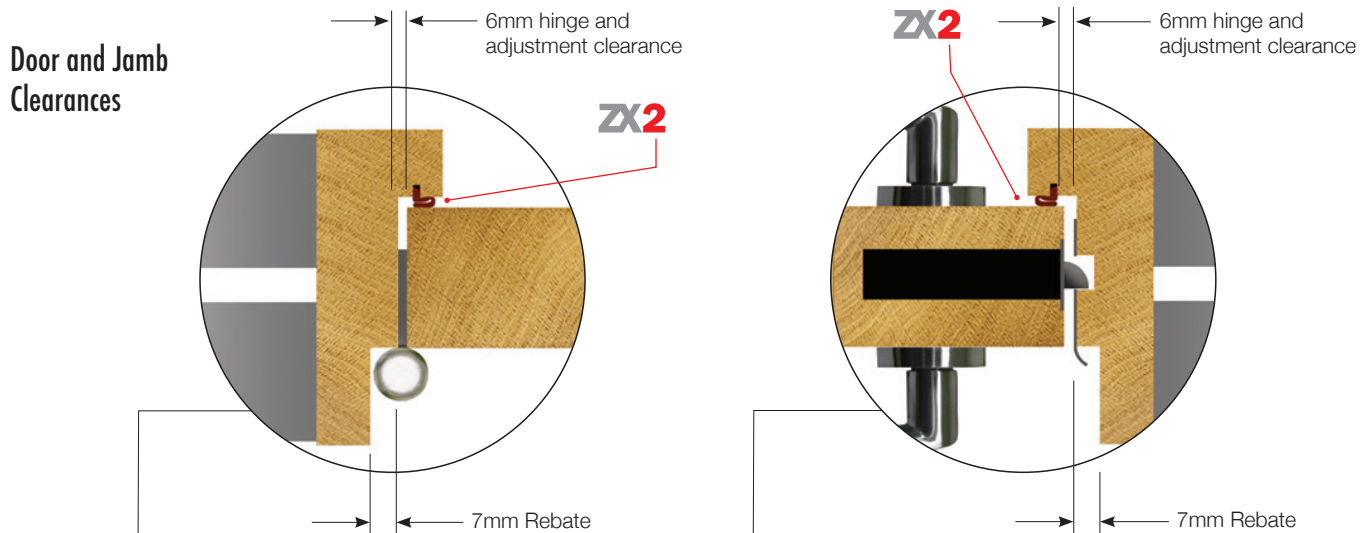
tommafold™
90
3.9 METRES MAX
PANEL HEIGHT



tommafold[®] Calculations, Fittings and Options

For your reference, see below for critical manufacturing dimensions.
 Feel free to call if you have any questions or queries on 01280 822062.

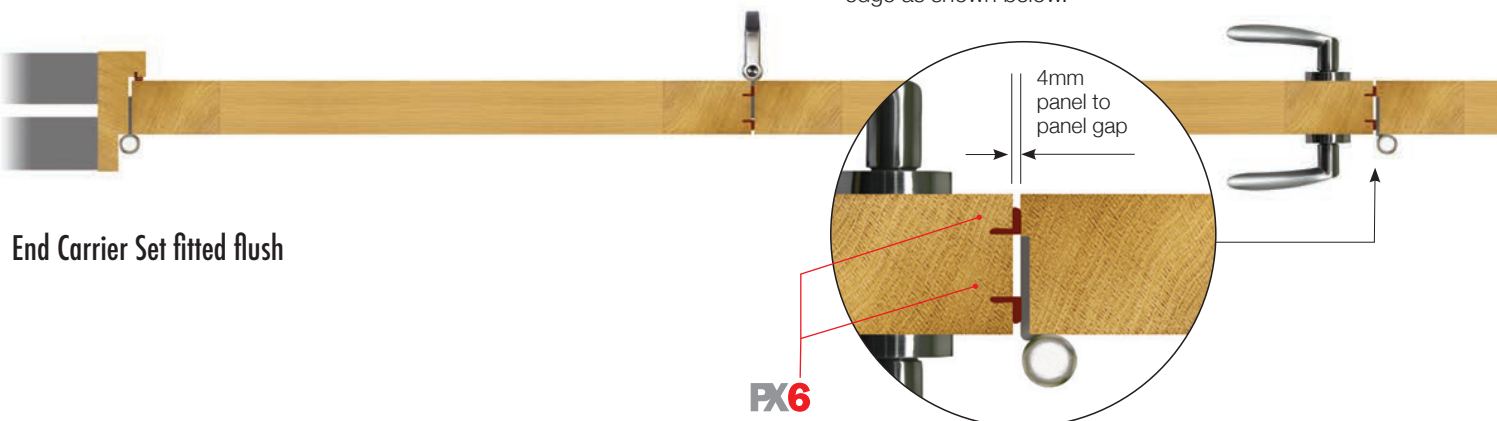
Door and Jamb Clearances



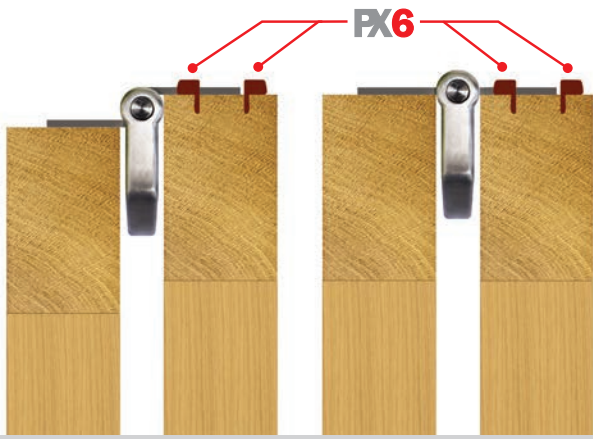
Meeting Carrier Set fitted flush

Fitting of End Carrier and Meeting Carrier Sets

It is recommended that End Carrier or Meeting Carrier Sets are recessed flush with door edge as shown below.



End Carrier Set fitted flush



Door Width Calculation Formula

$$\frac{IW - 12 - (4 \times (N - 1))}{N}$$

IW Inside frame width (across inside stepped rebate)
N Number of doors

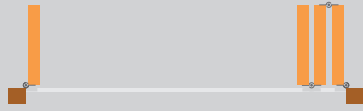
Example

3 right & 1 left configuration
 Inside frame opening size **4000mm wide x 2150mm high**

Door Widths = $\frac{4000 - 12 - (4 \times (4 - 1))}{4}$

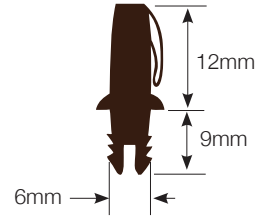
Door Heights

- = **2150mm** aperture height
- **7mm** door top to head
- **8mm** door bottom to sill
- = **2135mm** door height

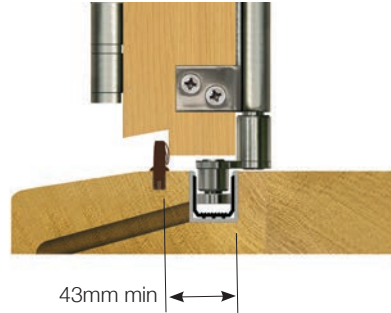


Threshold Sealing Bar

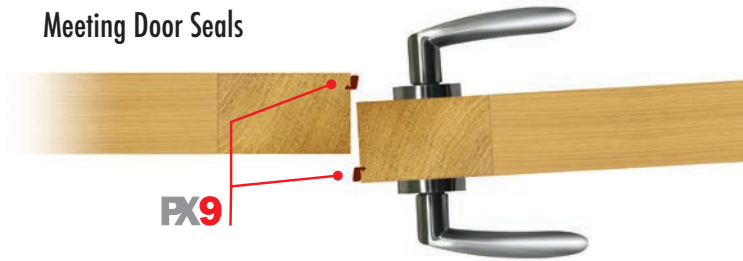
Weather sealing on inward opening configurations can be improved further by using a Threshold Sealing Bar and rebating the bottom edge of the door as illustrated on the left.



Part No	Length
GSP 410	914mm
GSP 411	2400mm
GSP 412	3000mm

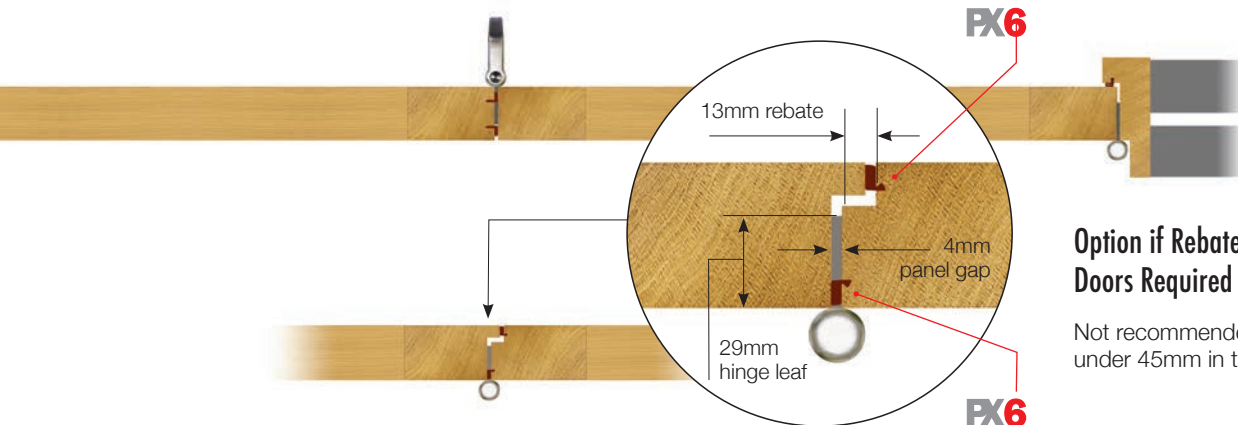
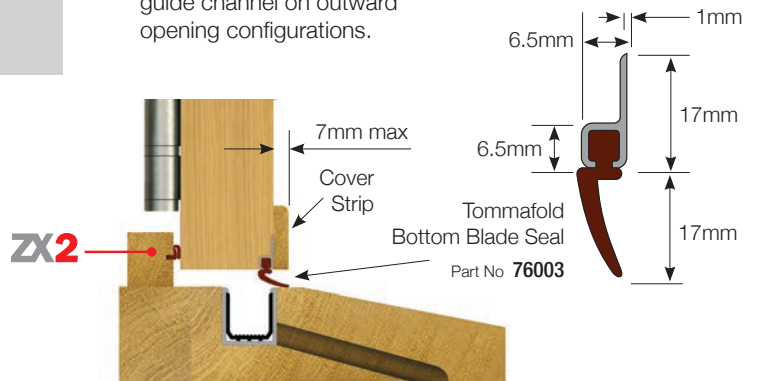


Meeting Door Seals



Optional Bottom Seal

(outward opening configurations only)
 This is a useful addition which greatly reduces the possibility of water and debris entering the bottom guide channel on outward opening configurations.

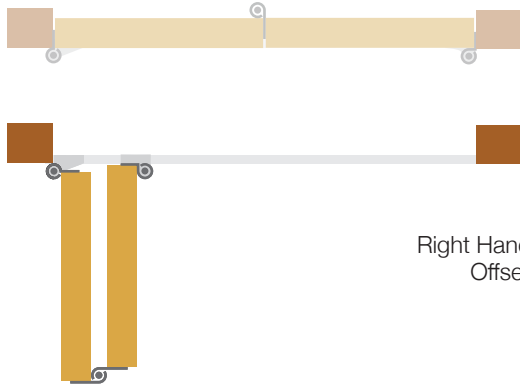


Option if Rebated Doors Required

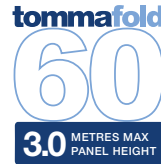
Not recommended for doors under 45mm in thickness.

tommafold® Hardware Configuration Examples

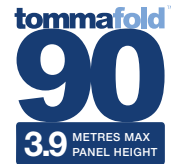
Hardware configuration examples for outward opening doors only. Any configurations are possible up to 16 panels in total. Hinge sets with handles and straight flush bolts are normally used for outward opening doors. Please specify finish for items required when ordering (Satin Stainless Steel, Polished Stainless Steel, Polished Brass or Black).



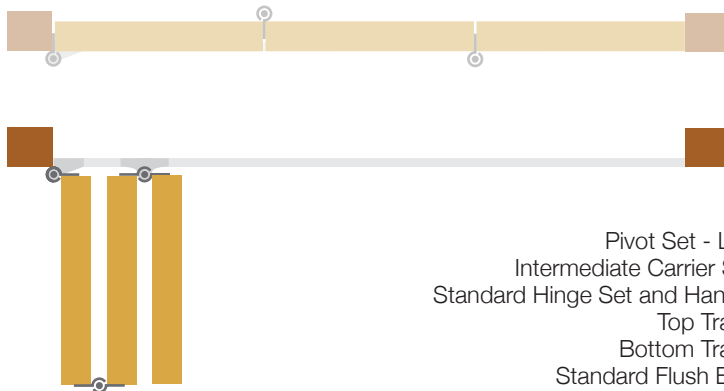
- Pivot Set - Right
- Right Hand Offset End Carrier Set
- Offset Hinge Set and Handle
- Top Track
- Bottom Track
- Standard Flush Bolt
- Flush Bolt Keep
- Panel to Panel Magnetic Holder



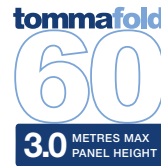
- 1 x 62-103
- 1 x 62-200R
- 1 x 60-370
- 1 x 60-TT ***
- 1 x 62-BT ***
- 2 x 60-FB **
- 1 x 60-FBK-200
- 1 x CFH 351



- 1 x 92-103
- 1 x 92-293R
- 1 x 60-370
- 1 x 92-TT ***
- 1 x 62-BT ***
- 2 x 60-FB **
- 1 x 60-FBK-200
- 1 x CFH 351



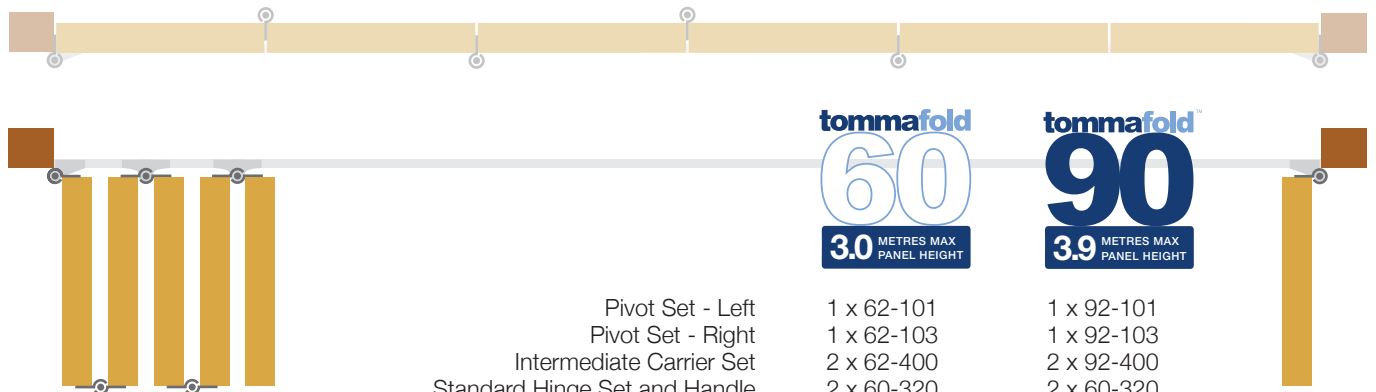
- Pivot Set - Left
- Intermediate Carrier Set
- Standard Hinge Set and Handle
- Top Track
- Bottom Track
- Standard Flush Bolt
- Flush Bolt Keep
- Panel to Panel Magnetic Holder
- Access Panel Magnetic Holder



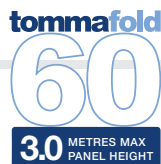
- 1 x 62-101
- 1 x 62-400
- 1 x 60-320
- 1 x 60-TT ***
- 1 x 62-BT ***
- 2 x 60-FB **
- 1 x 60-FBK-200
- 1 x CFH 351
- 1 x 10-1020



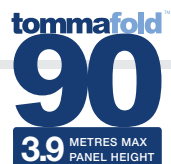
- 1 x 92-101
- 1 x 92-400
- 1 x 60-320
- 1 x 92-TT ***
- 1 x 62-BT ***
- 2 x 60-FB **
- 1 x 60-FBK-200
- 1 x CFH 351
- 1 x 10-1020



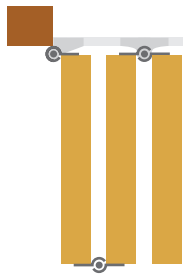
- Pivot Set - Left
- Pivot Set - Right
- Intermediate Carrier Set
- Standard Hinge Set and Handle
- Top Track
- Bottom Track
- Standard Flush Bolt
- Flush Bolt Keep
- Panel to Panel Magnetic Holder
- Access Panel Magnetic Holder



- 1 x 62-101
- 1 x 62-103
- 2 x 62-400
- 2 x 60-320
- 1 x 60-TT ***
- 1 x 62-BT ***
- 6 x 60-FB **
- 3 x 60-FBK-200
- 3 x CFH 351
- 1 x 10-1020

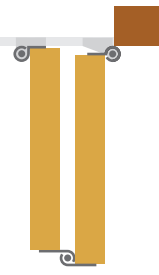


- 1 x 92-101
- 1 x 92-103
- 2 x 92-400
- 2 x 60-320
- 1 x 92-TT ***
- 1 x 62-BT ***
- 6 x 60-FB **
- 3 x 60-FBK-200
- 3 x CFH 351
- 1 x 10-1020



tommafold
60
3.0 METRES MAX
PANEL HEIGHT

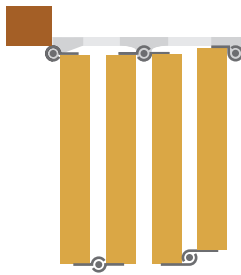
tommafold
90
3.9 METRES MAX
PANEL HEIGHT



- Pivot Set - Left
- Pivot Set - Right
- Top Track
- Bottom Track
- Standard Flush Bolt
- Flush Bolt Keep
- Intermediate Carrier Set
- Right Hand 4 Wheel Offset End Carrier Set
- Standard Hinge Set and Handle
- Offset Hinge Set and Handle
- Panel to Panel Magnetic Holder
- Access Panel Magnetic Holder

- 1 x 92-101
- 1 x 92-103
- 1 x 92-TT ***
- 1 x 62-BT ***
- 4 x 60-FB **
- 2 x 60-FBK-200
- 1 x 92-400
- 1 x 92-493R
- 1 x 60-320
- 1 x 60-370
- 2 x CFH 351
- 1 x 10-1020

- 1 x 92-101
- 1 x 92-103
- 1 x 92-TT ***
- 1 x 62-BT ***
- 4 x 60-FB **
- 2 x 60-FBK-200
- 1 x 92-400
- 1 x 92-493R
- 1 x 60-320
- 1 x 60-370
- 2 x CFH 351
- 1 x 10-1020



tommafold
60
3.0 METRES MAX
PANEL HEIGHT

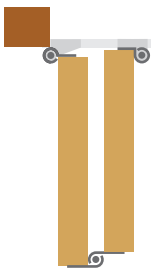
tommafold
90
3.9 METRES MAX
PANEL HEIGHT



- Pivot Set - Left
- Pivot Set - Right
- Top Track
- Bottom Track
- Standard Flush Bolt
- Flush Bolt Keep
- Intermediate Carrier Set
- Left Hand 4 Wheel Offset End Carrier Set
- Standard Hinge Set and Handle
- Offset Hinge Set and Handle
- Panel to Panel Magnetic Holder

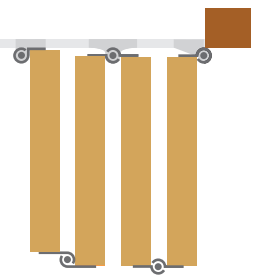
- 1 x 62-101
- 1 x 62-103
- 1 x 60-TT ***
- 1 x 62-BT ***
- 4 x 60-FB **
- 2 x 60-FBK-200
- 1 x 62-400
- 1 x 62-491L
- 1 x 60-320
- 1 x 60-370
- 3 x CFH 351

- 1 x 92-101
- 1 x 92-103
- 1 x 92-TT ***
- 1 x 62-BT ***
- 4 x 60-FB **
- 2 x 60-FBK-200
- 1 x 92-400
- 1 x 92-491L
- 1 x 60-320
- 1 x 60-370
- 3 x CFH 351



tommafold
60
3.0 METRES MAX
PANEL HEIGHT

tommafold
90
3.9 METRES MAX
PANEL HEIGHT



- Pivot Set - Left
- Pivot Set - Right
- Meeting Carrier Set
- Intermediate Carrier Set
- Standard Hinge Set and Handle
- Offset Hinge Set and Handle
- Top Track
- Bottom Track
- Standard Flush Bolt
- Flush Bolt Keep
- Panel to Panel Magnetic Holder

- 1 x 62-101
- 1 x 62-103
- 1 x 62-200M
- 1 x 62-400
- 1 x 60-320
- 2 x 60-370
- 1 x 60-TT ***
- 1 x 62-BT ***
- 6 x 60-FB **
- 3 x 60-FBK-200
- 4 x CFH 351

- 1 x 92-101
- 1 x 92-103
- 1 x 92-299M
- 1 x 92-400
- 1 x 60-320
- 2 x 60-370
- 1 x 92-TT ***
- 1 x 62-BT ***
- 6 x 60-FB **
- 3 x 60-FBK-200
- 4 x CFH 351

tommafold interior Folding Door System

Tommafold Interior offers the same high manufacturing quality as the Tommafold 60 and 90, and uses the same Tommafold hinges, track and handle design. Tommafold Interior has a compact top track and a 60kg weight capacity per panel. The hanger tyres are made of polymer for quiet and smooth movement. Tommafold Interior is ideal used in homes, offices and hotels to create room dividers that are simple to install and easy to use. The stylish set of hinges and handle are available in satin stainless finish.

Tommafold Interior is not only used by house builders, but also specified by architects planning for large scale commercial and residential fit outs.



4 Wheel Hanger

Machined polymer tyres with zinc plated bracket and adjusting mechanism.

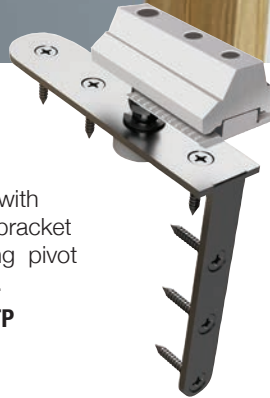
10-69-460-TW



Top Pivot

Pivot block with zinc plated bracket and adjusting pivot mechanism.

10-69-100-TP



Bottom Guide (option)

Zinc plated bracket and precision bearing guide wheel.

10-69-100-BG



Bottom Pivot

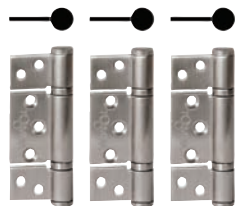
Zinc plated bracket and plastic bush for bottom mounting recess location.

10-69-100-RBP

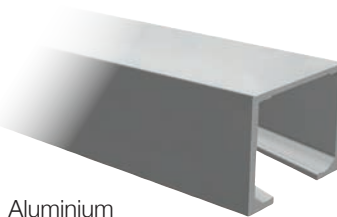


Hinge Set Without Handle

Part No.	Size	Finish
60-300-SS	200mm	Satin Stainless



Top Track



Aluminium top track pre-drilled at 300mm centres countersunk.

tommafold
interior

MAX PANEL HEIGHT

3.0
metres

60^{kg}

MAX PANEL WEIGHT

UP TO 16 PANELS

MAX DOOR WIDTH 900MM

OPENING UP TO 16M

PANEL THICKNESS
MIN 38MM

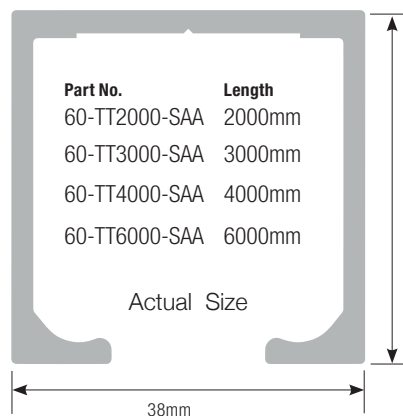
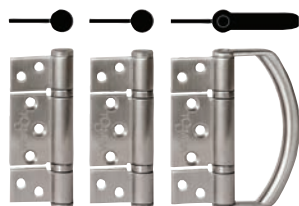
Bottom Track (option)

Aluminium concealed bottom track with black PVC insert.

Part No.	Length
62-BT2000-SAA	2000mm
62-BT3000-SAA	3000mm
62-BT4000-SAA	4000mm
62-BT6000-SAA	6000mm

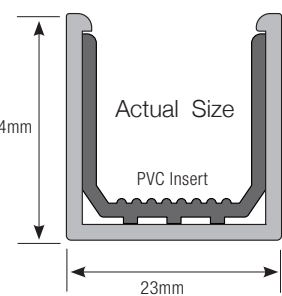
Hinge Set With Handle

Part No.	Size	Finish
60-320-SS	200mm	Satin Stainless



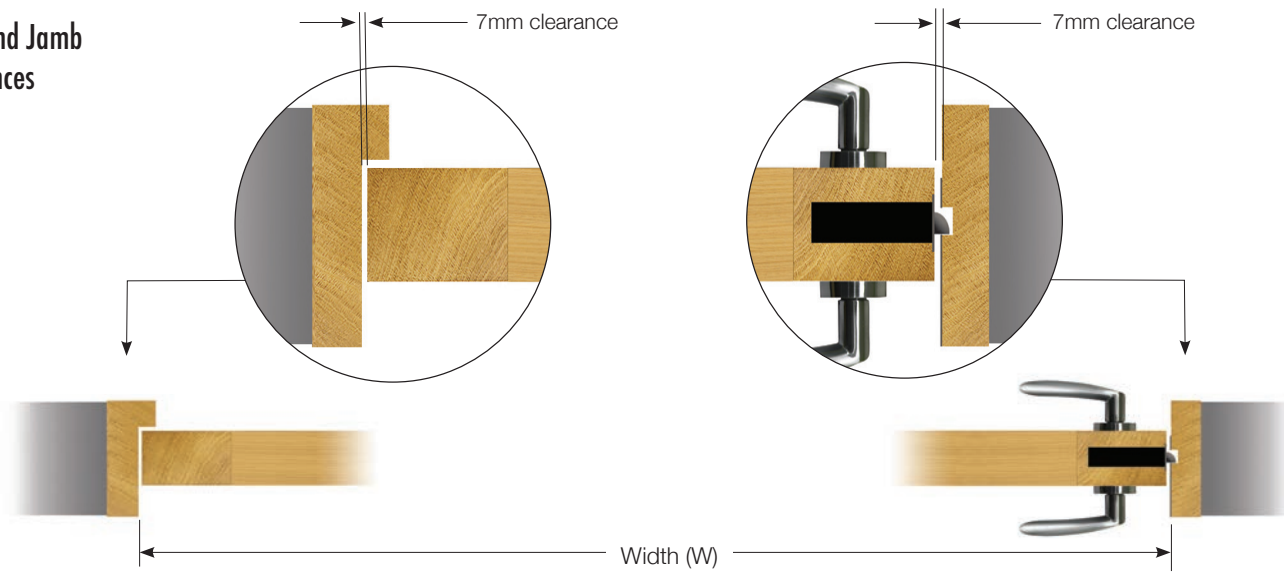
39.2mm

26.4mm



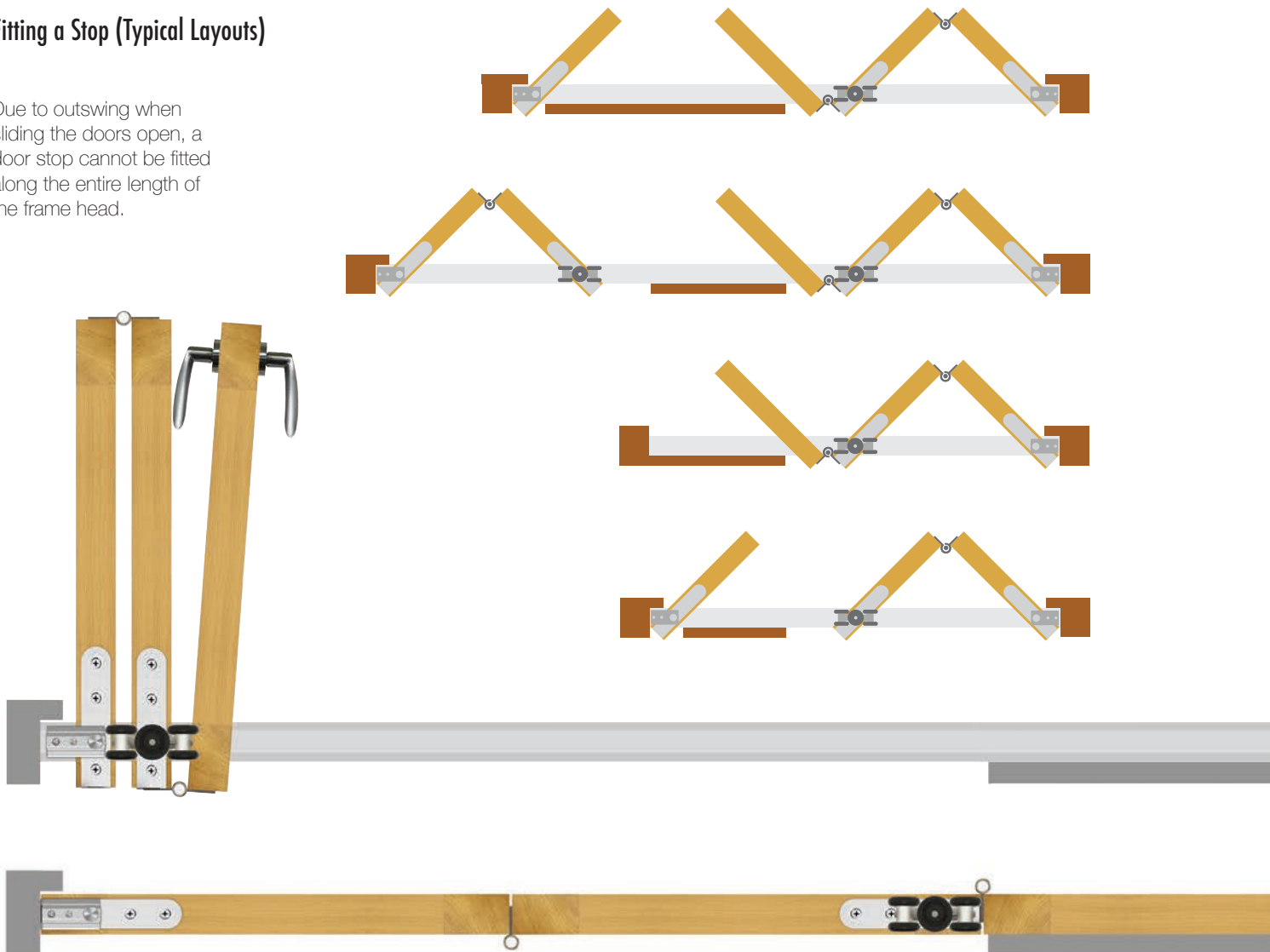
tommafold Interior Folding Door System

Door and Jamb Clearances



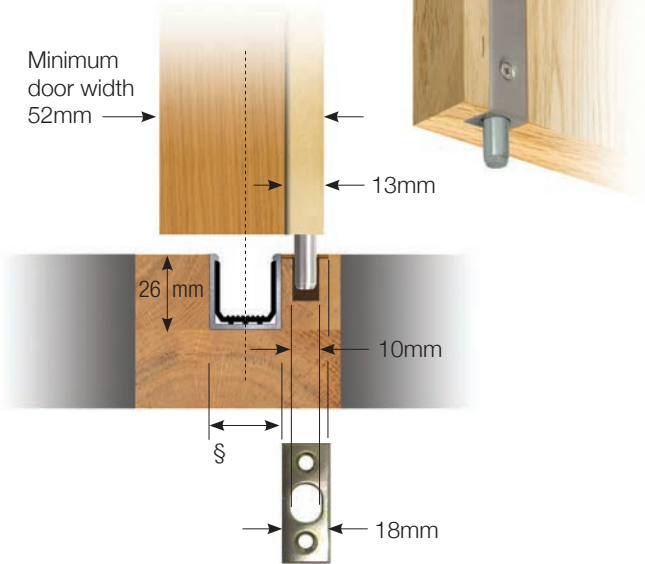
Fitting a Stop (Typical Layouts)

Due to outswing when sliding the doors open, a door stop cannot be fitted along the entire length of the frame head.



Flush Bolts

Lever action flush bolts can be used on your doors when they are a minimum of 52mm thick.



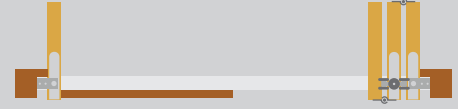
Door Width Calculation Formula

$$\frac{IW - 14 - (4 \times (N - 1))}{N}$$

IW Inside frame width (across inside stepped rebate)

N Number of doors

Example



3 right & 1 left configuration
Inside frame opening size

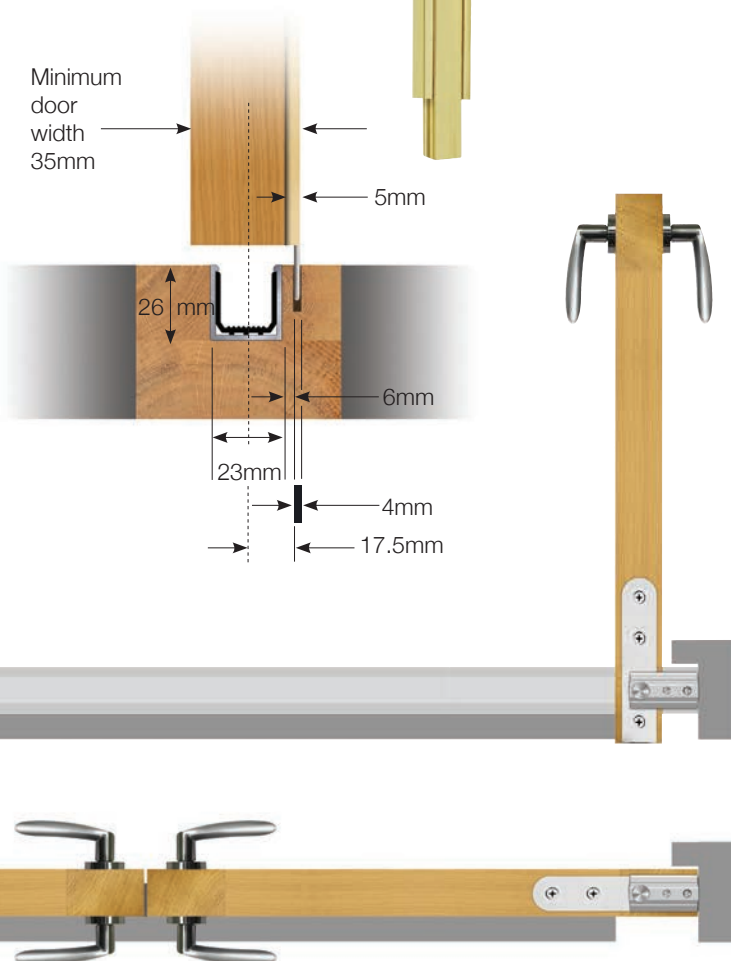
3500mm wide x 2150mm high

Door Widths = $\frac{3500 - 14 - (4 \times (4 - 1))}{4}$

Door Heights = 2150mm aperture height
 - 20mm door top to head
 - 6mm door bottom to sill
 = **2124mm door height**

Surface Bolts

Surface bolts can be used on doors with a minimum thickness of 35mm.





Other
Sliding Systems
from runners

tommaslide

Sliding Door
System

pocketdoors

Enclosed
Sliding Door
System

trakkit

Internal Sliding
and Wardrobe
Door Kits

seriesmini

Cabinet and
Cupboard Sliding
Door Systems

multirail

Workplace
overhead runway
solutions

industrial

Workplace
Sliding Door
Systems

tommafold[®]

Sliding and Sliding Door Systems

Runners Sliding Systems

Signal Hill

Lenborough Road

Gawcott

Buckingham

MK18 4BU

T 01280 822288

E sales@runners-sales.com

W runners-uk.com

from **runners**[®]

