



ConcealX

Pocket Sliding Door System For Single Leaf Doors

Maximum Door Panel
Weight of 50kg.

Featuring High
Quality
Components

Pre-assembled
System

Full Technical
Support

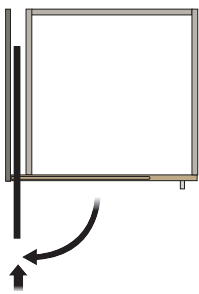
Adjustable Door
Ejection System

Smooth Gliding
Action when Op-
erating

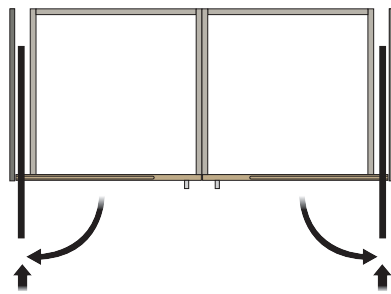
Concealed, sliding pivot pocket door system.
Perfect for wardrobes, offices or kitchens.

This system is ideal for apartments or
situations where space is at a premium.
To be used in single door applications.

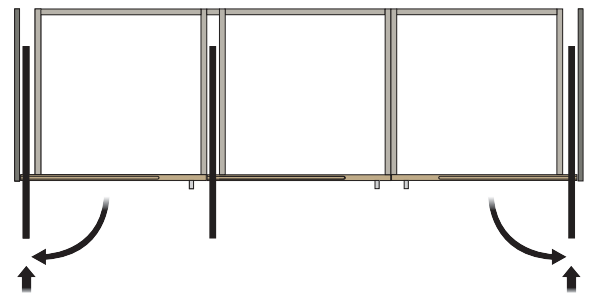
Kits



One Door
System
= 1 - kit



Two Door
System
= 2 - kit



Three Door
System
= 3 - kit



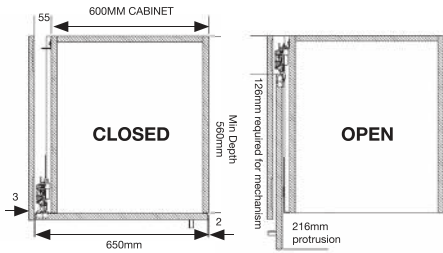


Specification

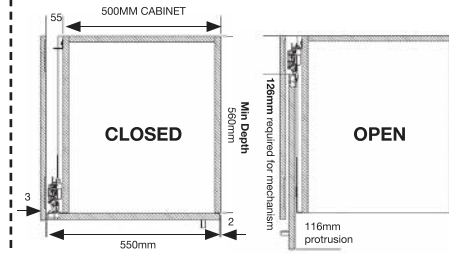
- **Door Heights and Weights:** 1200 - 1400mm = 30kg, 1990 - 2200mm = 30kg, 2200 - 2700mm = 50kg
- **Door Thickness:** 18 - 30mm
- **Door Width:** 200 - 700mm
- **Cabinet Depth Options:** depth 1 = 560mm, depth 2 = 665mm

Examples

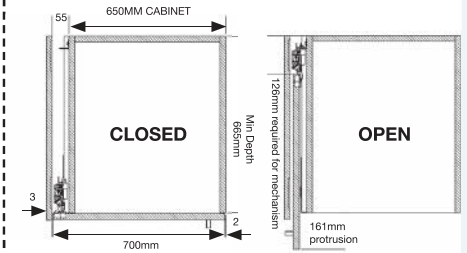
Depth 1/560mm:
Using depth 1 kits



Depth 1/560mm:
Using depth 1 kits



Depth 2/665mm:
Example applications using depth 1 kits



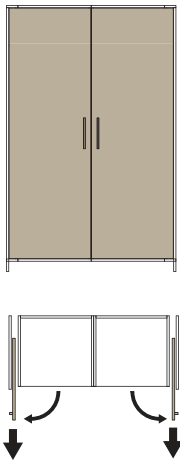
Depth 1 Kit - 560mm	
Description	Code
1 Door Kit 1200-1400mm	700-500
1 Door Kit 1990-2200mm	700-501
1 Door Kit 2200-2700mm	700-502

Depth 2 Kit - 665mm	
Description	Code
1 Door Kit 1200-1400mm	700-503
1 Door Kit 1990-2200mm	700-504
1 Door Kit 2200-2700mm	700-505

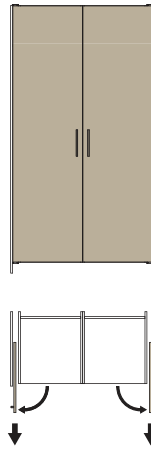
Accessories	
Description	Code
Side Panel Converter Kit	700-604
Self Closing Mechanism	700-610
Central Pocket Connector Kit	700-600

Can be used for inlay, overlay or built in applications as illustrated below in various solutions.

With Inlay Doors

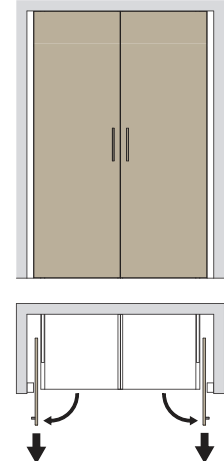


With Overlay Doors Top and Bottom



With Built-in Unit

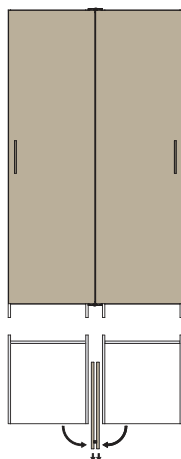
Can be mounted in wall recess.



With Central Pocket for Two Doors

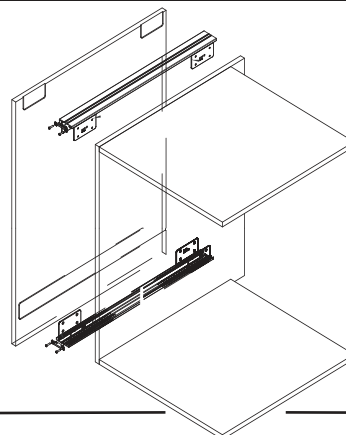
Use:
700-600
Kit Connector

Max panel thickness 25mm for this application.

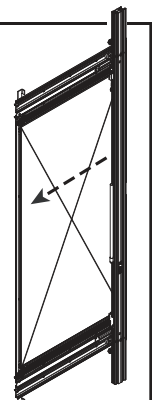


Optional Accessories

Side Panel Connector Kit
700-604



Self Closing Mechanism
700-610





ConcealX Folding

Pocket Sliding Door System
For Double Leaf Doors



Maximum Door Panel
Weight of 60kg.



Featuring high
quality
components



Full Technical
Support



Adjustable Door
Ejection System



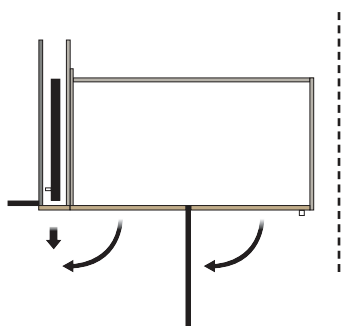
Pre-assembled
System



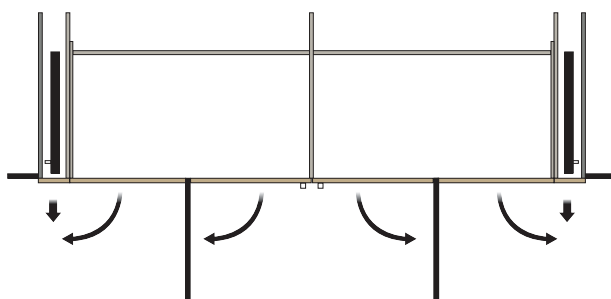
Smooth Gliding
Action when Op-
erating

The ConcealX folding system allows you to build wider units up to 2800mm wide with a pair of sliding doors folding into pockets on each side.

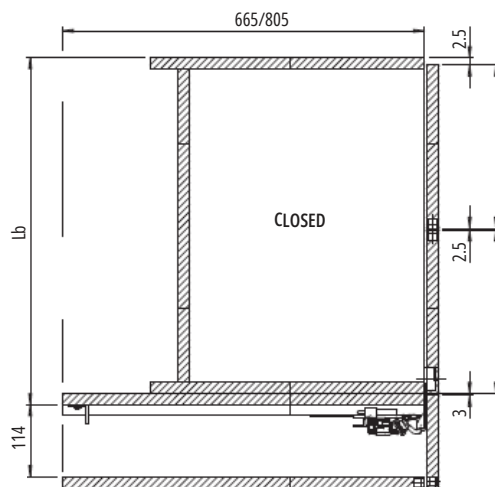
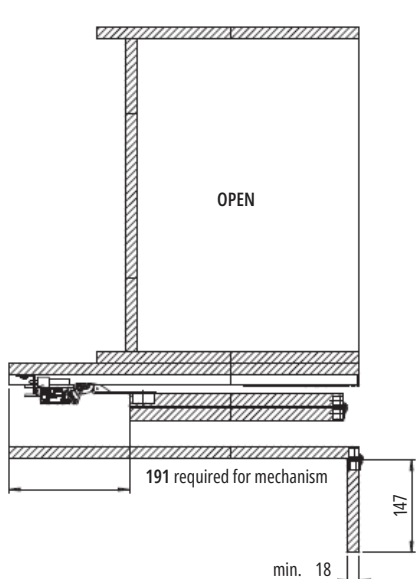
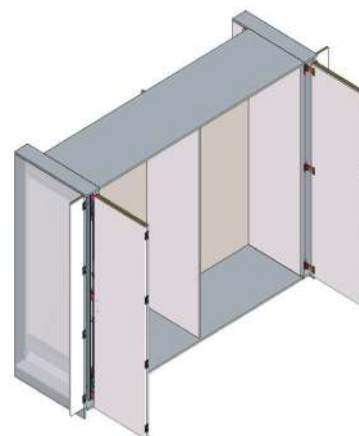
The ConcealX is fully softclosing and has a smooth gliding operation.



One door
system
= 1 - kit



Two door
system
= 1 - kit



Depth 1 Kit - 665mm min

Description	Code
1 Pair Folding Kit 1990-2200	750-501

Depth 2 Kit - 805mm min

Description	Code
1 Pair Folding Kit 1200-1400	750-503
1 Pair Folding Kit 1990-2200	750-504
1 Pair Folding Kit 2200-2700	750-505



Contact for further information
01280 822062 | www.questhardware.co.uk | Sales@qs-sales.com



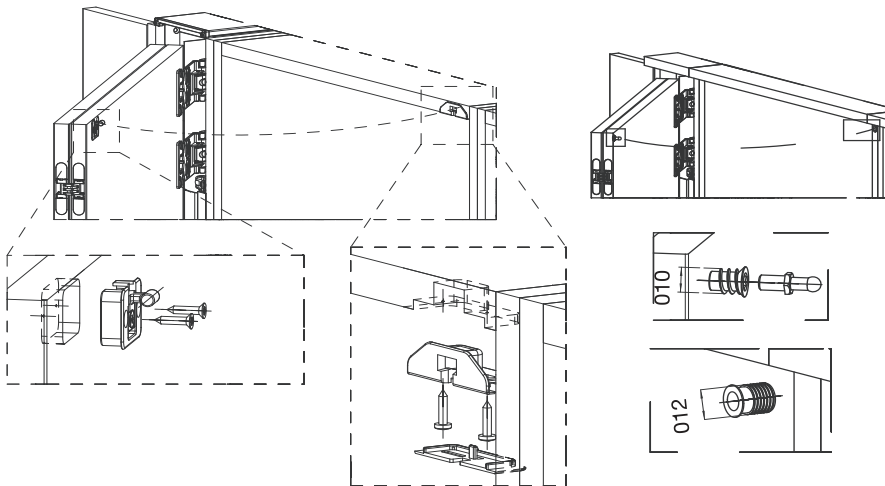
Specification

- **Door Heights and Weights:** 1200 - 1400mm = 30kg, 1990 - 2200mm = 60kg, 2200 - 2700mm = 60kg
- **Door Thickness:** 18 - 30mm
- **Door Width:** 200 - 700mm
- **Cabinet Depth Options:** depth 1 = 665mm, depth 2 = 805mm

Optional Accessories: Enhance your concealed sliding door system

Adjustable Door Support Pin (Optional)
750-510

Door Support Pin (Optional)
750-511

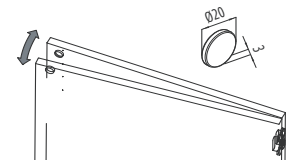
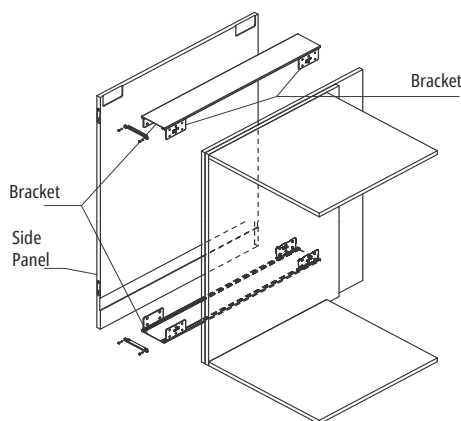
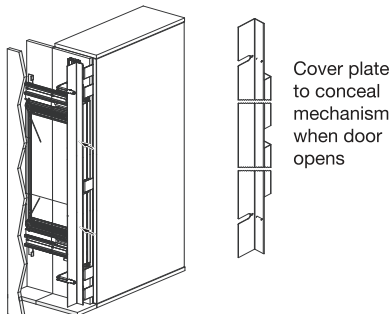


Accessories	
Description	Code
Adjustable Support Pin	750-510
Door Support Pin	750-511
Side Panel Connector	750-512
Magnet Kit	750-513
Cover Plate 1200-1400	750-514
Cover Plate 1990-2200	750-515
Cover Plate 2200-2700	750-516

Adjustable Covering Plate Support Pin (Optional)
750-514

Side Panel Connector (Optional)
750-512

Set of 4 Magnets for Holding Leaves Together when Open (Optional)
700-513



To suit door height	Code
1200-1400	750-514
1990-2200	750-515
2200-2700	750-516

