





# DuraFold


## Folding Cabinet/Wardrobe Door System




Suitable for Doors up to 50kg.




Featuring High Quality Components




Full Technical Support



Inframe and Overlay Doors



Can be used with 2 or 2+2 doors



110 Degree Opening - Usage Area

The DuraFold is a high quality bi-folding system, which is suitable for cabinet and wardrobe doors.

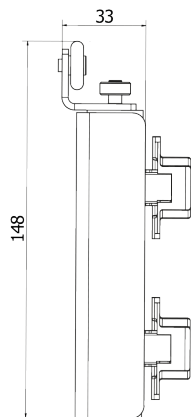
The DuraFold is a top rail solution with no bottom guide. Refined bearings make it a suitable option for larger door applications.

Product Code	Description
495-200	Fitting Kit to suit Includes: 1x Top Roller and 3 x Hinges
495-250-1.2	1.5 Metre Top Track Satin Anodised Aluminium
495-250-2.4	2.4 Metre Top Track Satin Anodised Aluminium

### DuraFold 2 Door Set Contains



1x Top Rollers



#### SALICE

- Soft closing mechanism
- Lifetime Guarantee

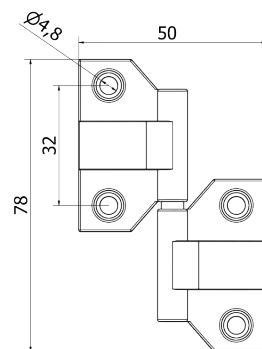


\*Please note hinges for cabinet to the first panel joint must be ordered separately.

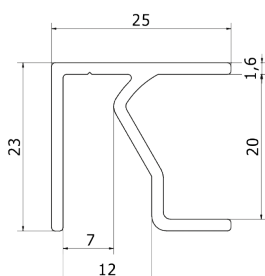
See page:



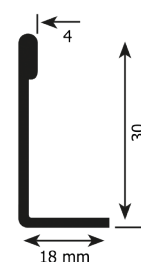
4x Hinges



Top Track Profile  
1.2 Metre &  
2.4 Metre  
Options



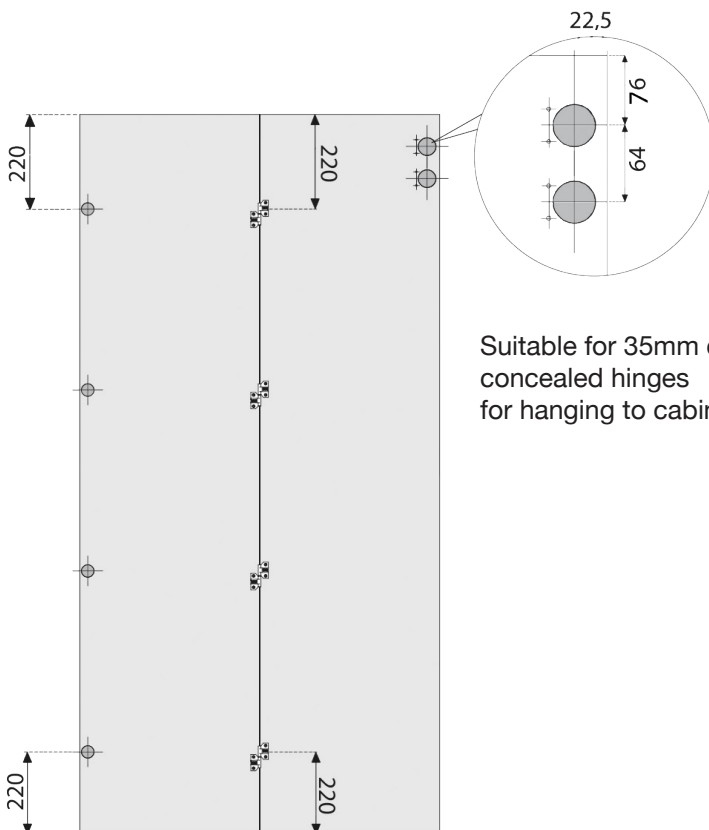
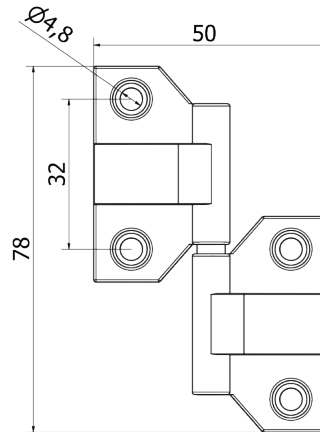
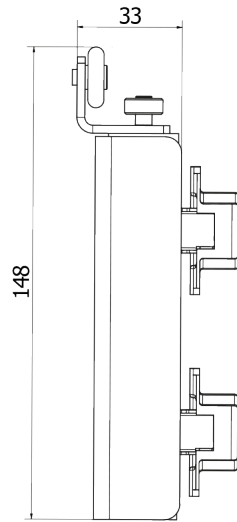
Aluminium Handle  
(Optional)





## Specification

- Maximum Panel Weight: 50kg
- Door Thickness: 16mm - 25mm
- Suitable Panel Widths: Up to 600mm
- For Inset and Overlay Applications
- Maximum of 2 Doors Folding Each Side



Suitable for 35mm cup  
concealed hinges  
for hanging to cabinet.

