

# tommafold90™

## 90 Series Concealed Bi-Fold Door Fitting Instructions

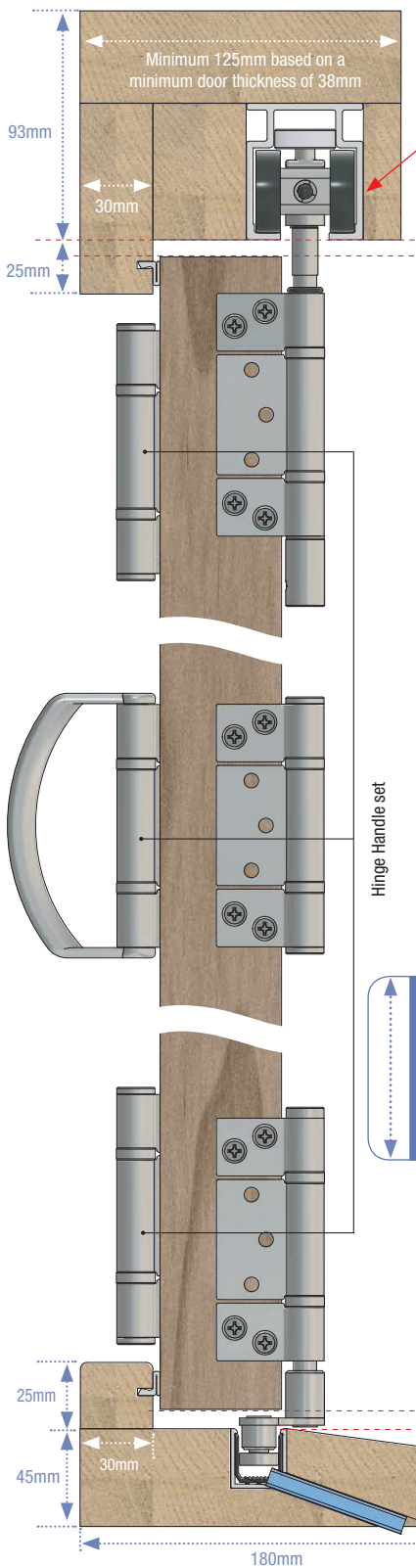
Max panel weight  
**120kg**



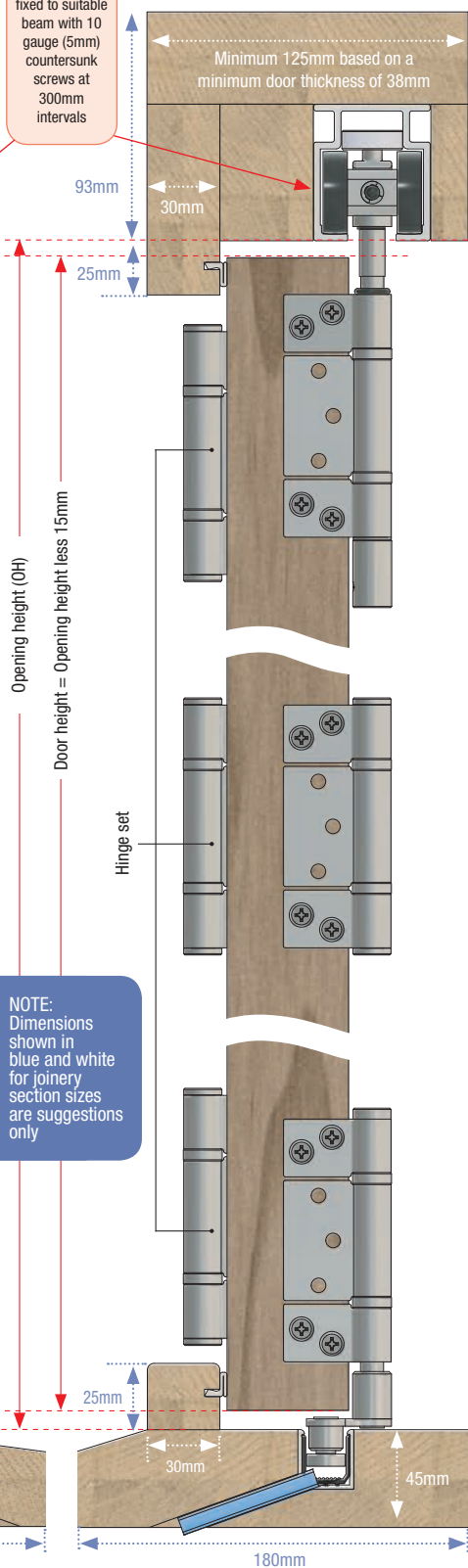
Please read these instructions fully before installation.

1

### Outward Opening



### Inward Opening

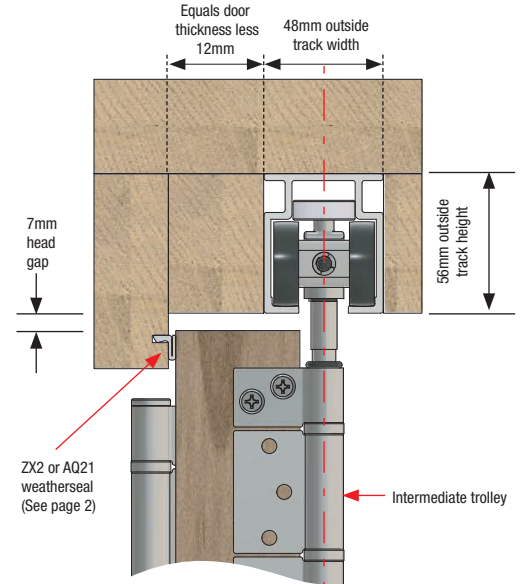


Track to be fixed to suitable beam with 10 gauge (5mm) countersunk screws at 300mm intervals

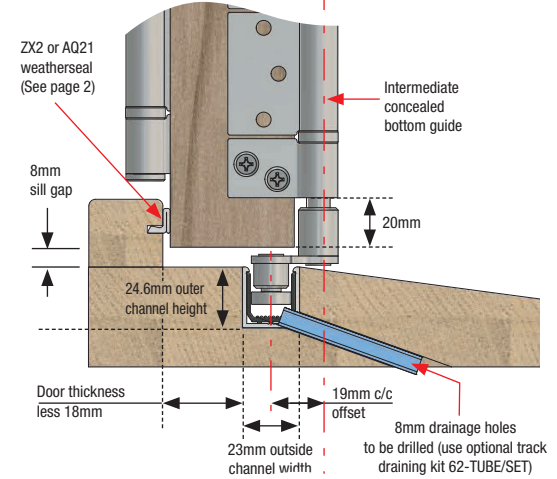
**NOTE:** Dimensions shown in blue and white for joinery section sizes are suggestions only

Opening height (OH)  
Door height = Opening height less 15mm

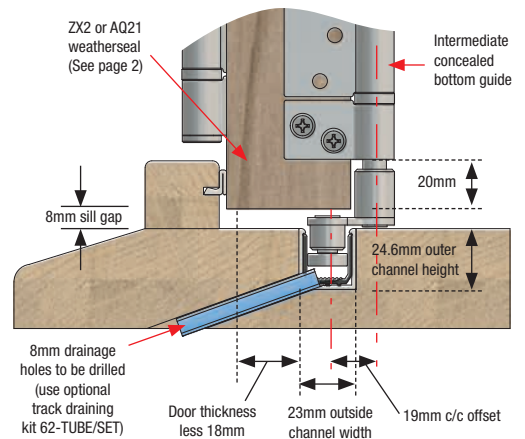
### Outward/Inward Opening Head Detail



### Outward Opening Sill Detail



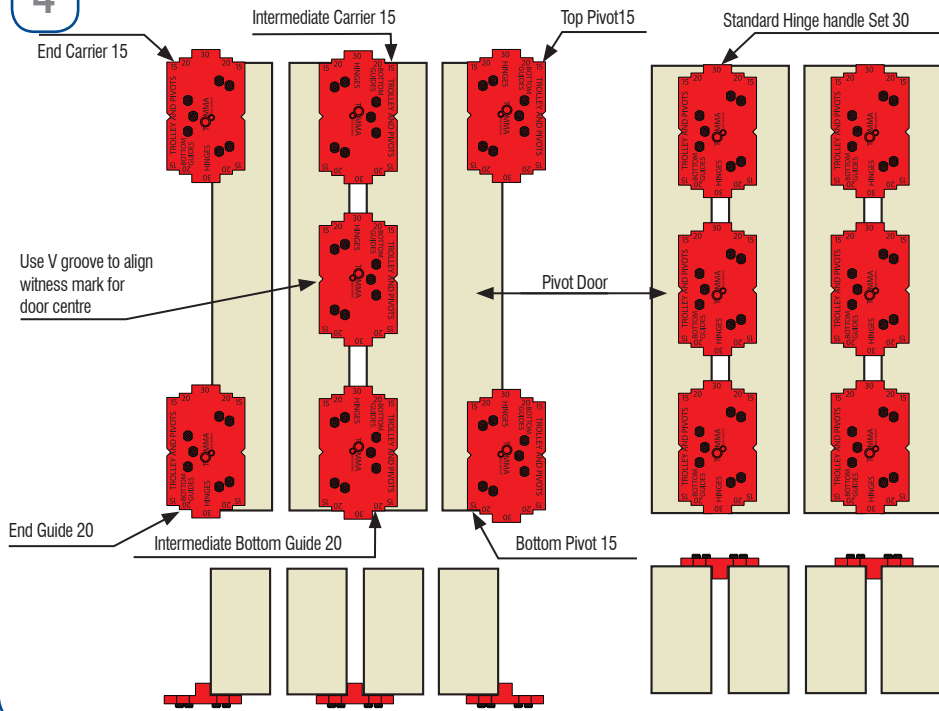
### Inward Opening Sill Detail





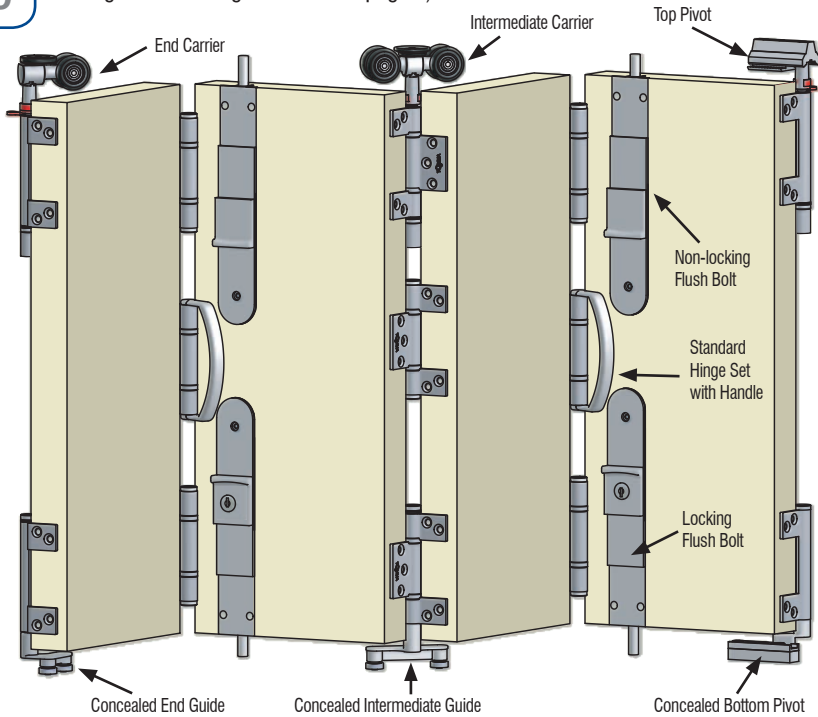
4

Pre-drill holes on door panels using optional hinge jig (part no. 60-DJ100).



5

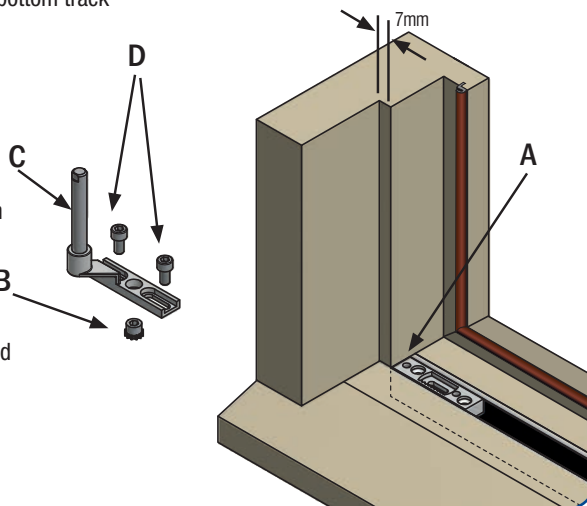
Place hardware in top and bottom track in correct order. (See optional track access section for loading and removing hardware on page 4)



6

Mount bottom pivot hinge to bottom track

1. Disassemble pivot then place pivot base in bottom track.
2. Align the back edge of pivot base with the jamb (A)
3. Drill pilot holes using the base as a template and then fix with screws provided.
4. Fit gear wheel (B) and top plate (C) and fix with Hex drive cap screws (D)



7

Fix bottom pivot hinge flap to jamb leaf using pre-drilled holes made in Step No.4, then place jamb leaf on bottom pivot pin and fix top pivot via pre-drilled holes made in Step No.4.

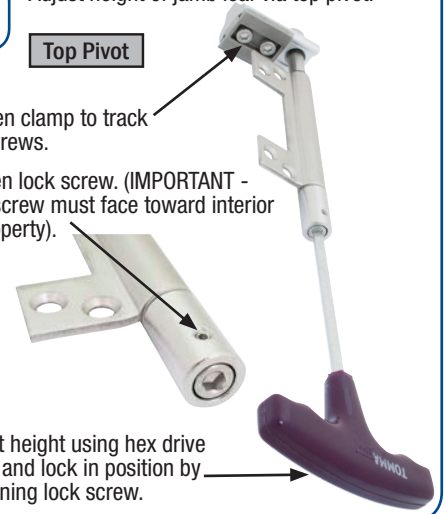
8

Adjust height of jamb leaf via top pivot.

**Top Pivot**

Tighten clamp to track via screws.

Loosen lock screw. (IMPORTANT - lock screw must face toward interior of property).

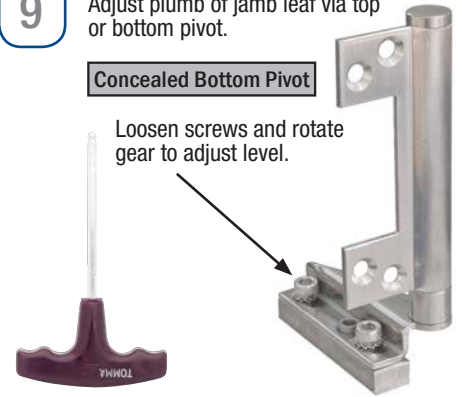


9

Adjust plumb of jamb leaf via top or bottom pivot.

**Concealed Bottom Pivot**

Loosen screws and rotate gear to adjust level.



10

Fit hinge sets to next leaf to be mounted using pre-drilled holes made in Step No.4.

11

Fit this leaf to jamb leaf using pre-drilled holes made in Step No.4.

12

Depending on door configuration (eg if 3 or more leaves required on any side of door frame) continue to mount hardware and door leaves as shown in Step No.5.

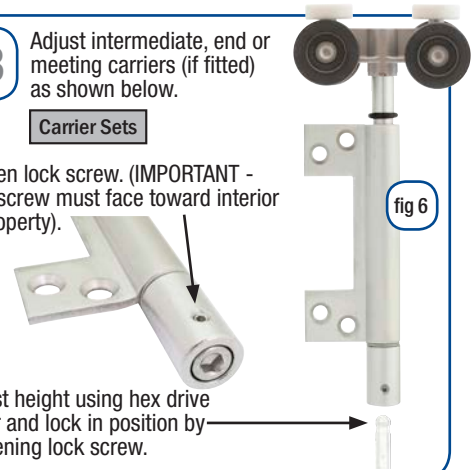
13

Adjust intermediate, end or meeting carriers (if fitted) as shown below.

**Carrier Sets**

Loosen lock screw. (IMPORTANT - lock screw must face toward interior of property).

Adjust height using hex drive T-bar and lock in position by tightening lock screw.



14

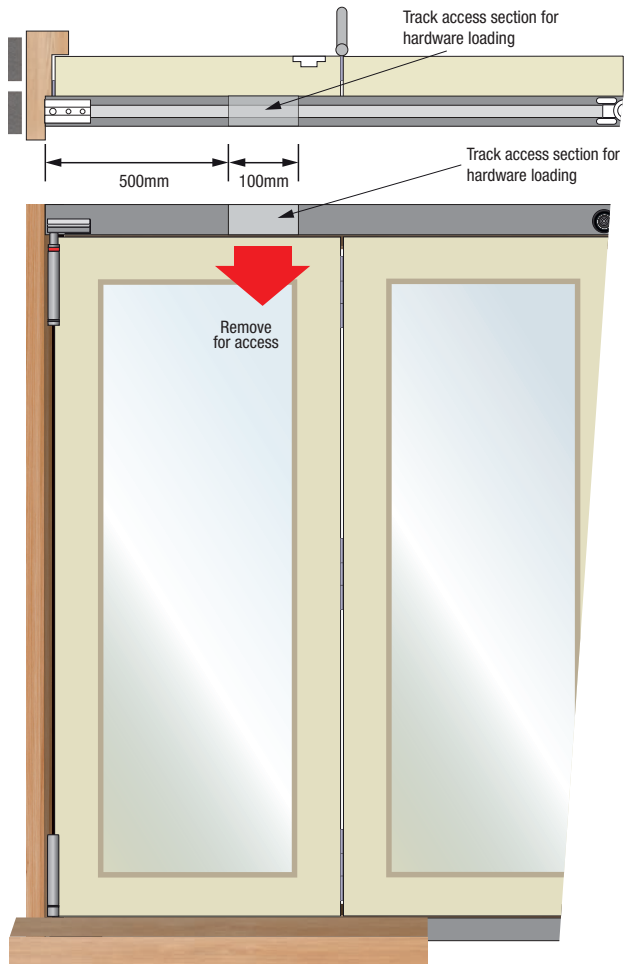
Mount flush bolts and accessories to doors, and flush bolt keeps to head and sill.

# tommafold90™

Other options and working methods to consider during installation of Tommafold90.

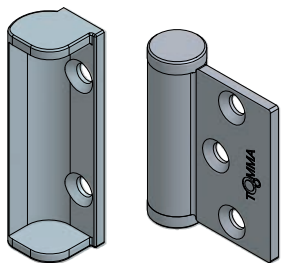
## Track Access Section (optional)

To make the loading and removal of components easier, and also for future maintenance, the upper track may be cut before installation as shown below to allow a removable section 100mm in length to act as an access point. It is then simply screwed back in place after installation or maintenance is completed.

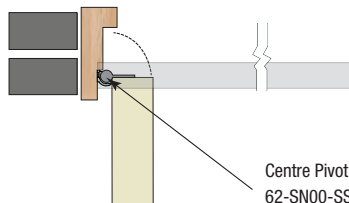
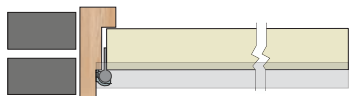


## Security Hinge (optional)

Optional central hinge increases security and prevents door movement and warping. This is used at the jamb in conjunction with the pivot set. Only available in Satin Stainless Steel



Part No. 62-SN00-SS  
Finish Satin Stainless

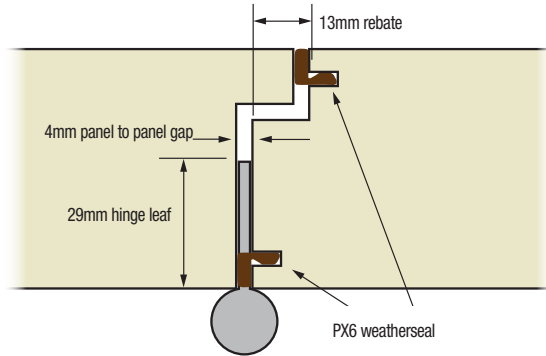


Centre Pivot Security Hinge  
62-SN00-SS

## Additional weather sealing options

### Rebated Doors (optional)

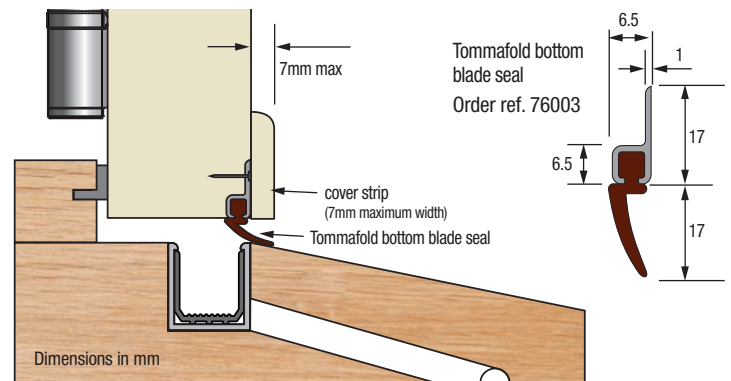
Not recommended for doors under 45mm in thickness.



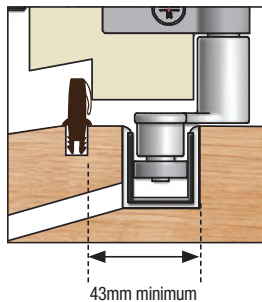
### Tommafold Bottom Seal (optional)

(outward opening configurations only)

This is a useful addition which greatly reduces the possibility of water and debris entering the bottom guide channel on outward opening configurations.

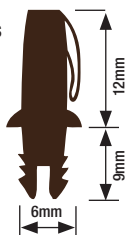


### Threshold Sealing Bar (optional)

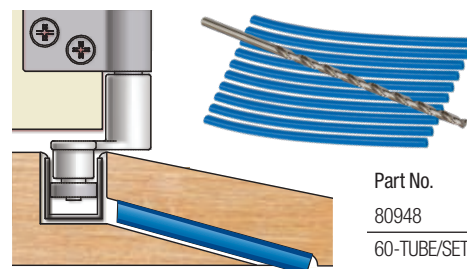


Weathersealing on inward opening configurations can be improved further by using a Threshold Sealing Bar and rebating the bottom edge of the door as illustrated on the left. Colour: Brown

Part No.	Length
GSP 410	914mm
GSP 411	2400mm
GSP 412	3000mm



### Track Draining Tube Kit (optional)



Use to line drainage holes in wooden sills to prevent rotting of timber.

Part No.	Item
80948	HSS Drill Bit 8 x 240mm
60-TUBE/SET	Set of 10 tubes 8 x 200mm

Runners Sliding Door Systems  
Signal Hill  
Lenborough Road  
Gawcott  
Buckingham  
MK18 4BU

UK & Europe Sales:  
Tel: 00 44 (0)1280 822288  
Fax: 00 44 (0)1280 813024  
Email: sales@runners-sales.com  
Web: www.runners-uk.com  
www.tommafold.com

