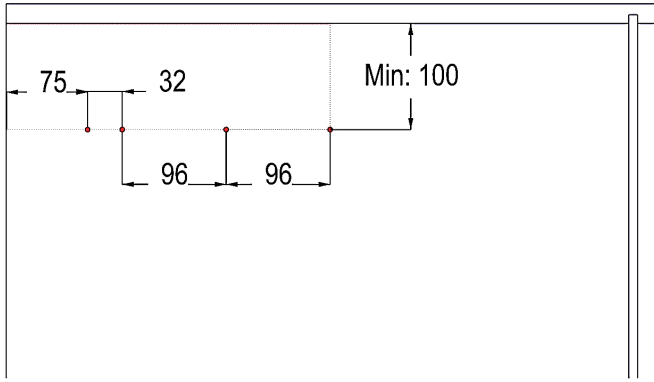
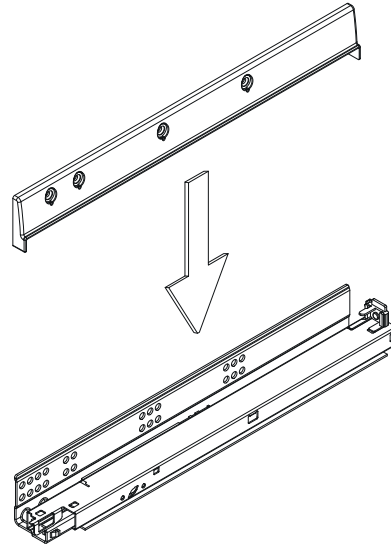




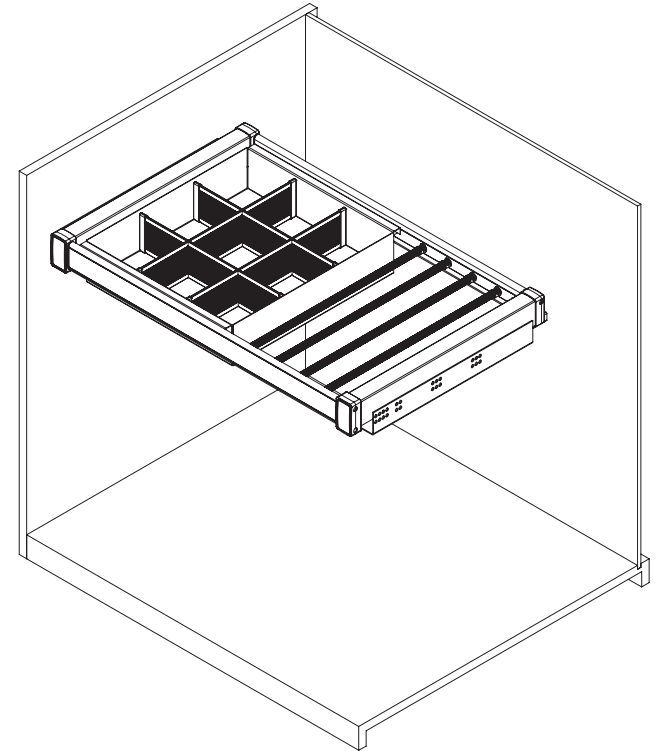
A-1



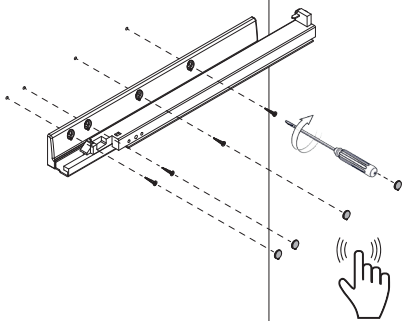
B-1



E-1



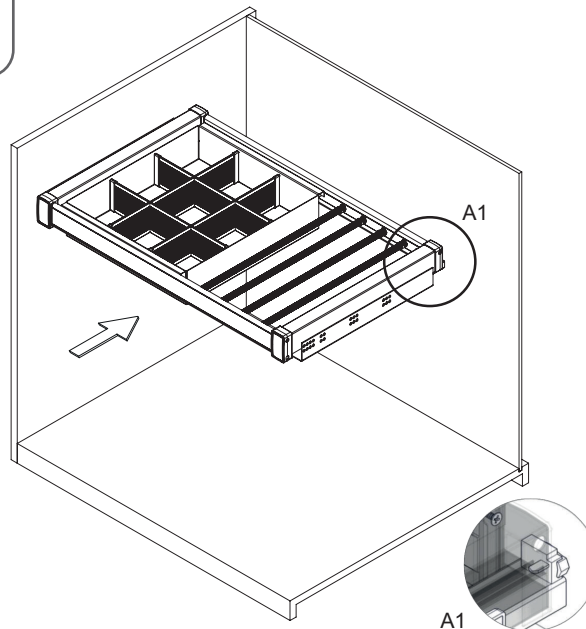
C-1



8x  
Cover

8x  
3,5x16

D-1



A1