

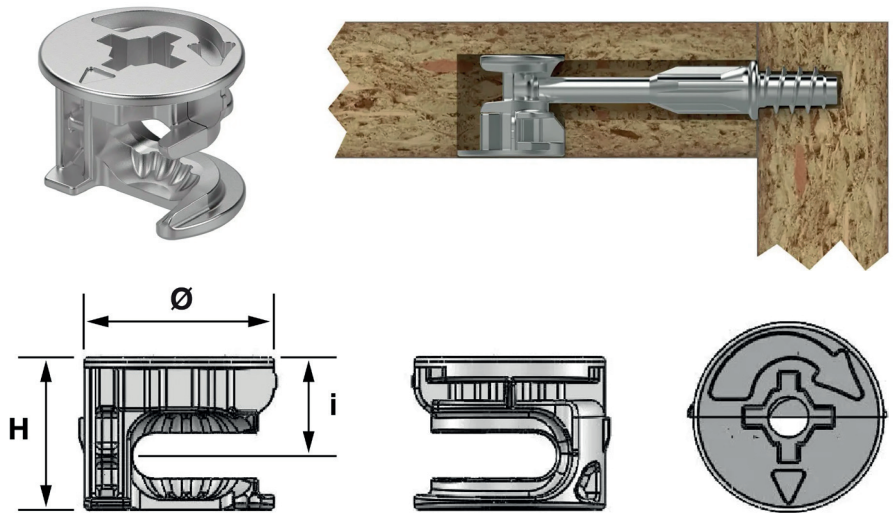


Cam & Dowels

# CONX CAM

The ConX Cam ensures secure assembly of furniture and shelving. Compatible with 15/16mm or 18/19mm shelves and all ConX dowels. Made from durable Zamac with a rust-resistant zinc-plated finish.

- **Material:** Zamac.
- **Finish:** Zinc Plated.
- **Pack Size:** 2,000 pieces.
- **Compatibility:** Suitable for all dowels in the ConX range.



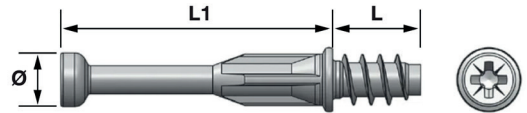
CODE	F	Ø	H	I	P	S
CFK601	15/16mm	15mm	12mm	7.75mm	12.2mm	8mm
CFK603	18/19mm	15mm	13.5mm	9.3mm	13.7mm	9.5mm

# CONX DOWEL

The ConX Dowel provides a secure, durable solution for furniture assembly. Features sharp wood threads, Ø8mm locking ring, and PoziDriv 2 head for easy chipboard installation. Galvanised iron for rust resistance.

## Key Features and Benefits

- Lower dimensional tolerances for precise fitting.
- PoziDriv 2 ISO 4757 head simplifies screwing.
- Sharp wood threads ensure easy and secure assembly.
- Ø8mm locking ring provides strong hold in soft chipboard.
- Saves raw materials.
- Reduces electricity consumption.
- Minimizes cooling oil usage.



## 24mm Dowel

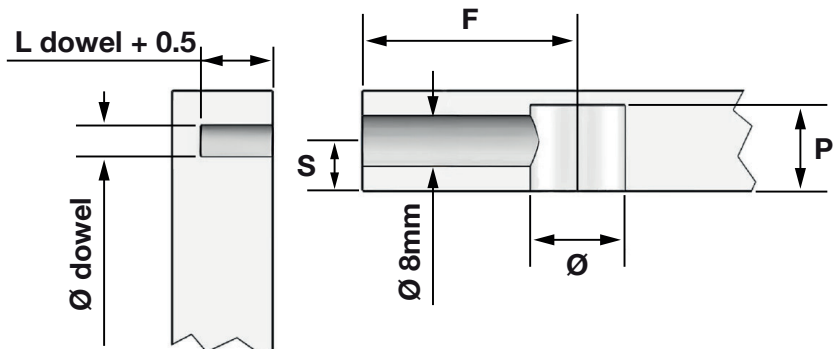
- **Drilling Dimension:** 24mm.
- **Length (L1 + L):** 31.5mm.
- **Material:** Iron.
- **Finish:** Galvanised (FZ).
- **Pack Size:** 2,000 pieces.

## 34mm Dowel

- **Drilling Dimension:** 34mm.
- **Length (L1 + L):** 41.5mm.
- **Material:** Iron.
- **Finish:** Galvanised (FZ).
- **Pack Size:** 2,000 pieces.

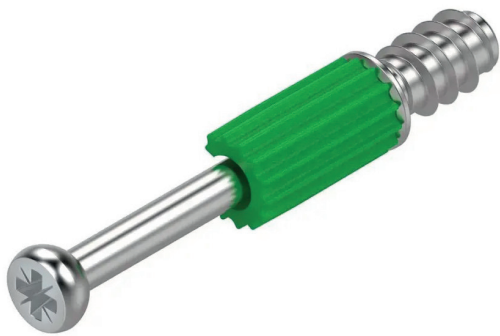
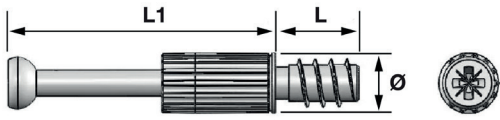
CODE	F	Ø	L	L1
CFK604	24mm	7mm	11mm	20.5mm

CODE	F	Ø	L	L1
CFK605	34mm	7mm	11mm	30.5mm



# CONX TORNADO DOWEL

The ConX Tornado Dowel delivers precise, secure furniture assembly. Available in 24mm or 34mm lengths for strong, fast connections. Zinc-plated for rust resistance—ideal for soft and hardwood.



## 24mm Tornado Dowel

- **Drilling Dimension:** 24mm.
- **Overall Length (L1 + L):** 31.5mm.
- **Head Diameter (Ø):** 7.5mm.
- **Thread Length (F):** 11mm.
- **Material:** Iron.
- **Finish:** Zinc Plated.
- **Pack Size:** 2,500 pieces.

CODE	F	Ø	L	L1
CFK607	24mm	7,5mm	11mm	20,5mm

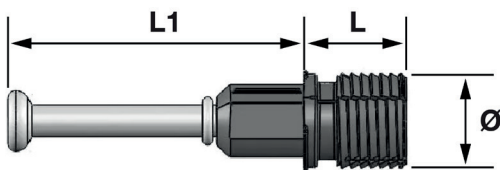
## 34mm Tornado Dowel

- **Drilling Dimension:** 24mm.
- **Overall Length (L1 + L):** 41.5mm.
- **Head Diameter (Ø):** 7.5mm.
- **Thread Length (F):** 11mm.
- **Material:** Iron.
- **Finish:** Zinc Plated.
- **Pack Size:** 2,000 pieces.

CODE	F	Ø	L	L1
CFK606	34mm	7,5mm	11mm	30,5mm

# CONX KNOCK-IN DOWEL

The ConX Knock-In Dowel offers quick, secure assembly—no screwing required. Tap into pre-drilled holes for a strong fit. Available in 24mm or 34mm lengths with Ø8mm head and gripping ridges. Zinc-plated iron for durability.



## 24mm Knock-In Dowel

- **Drilling Dimension:** 24mm.
- **Total Length (L + L1):** 29.5mm.
- **Head Diameter (Ø):** 8mm.
- **Thread Length (F):** 24mm.
- **Material:** Iron.
- **Finish:** Zinc Plated.
- **Pack Size:** 2,000 pieces.
- **Weight per Pack:** 7.0kg.

CODE	SIZE	Ø	L	L1
CFK609	24mm	8mm	11mm	18,5mm



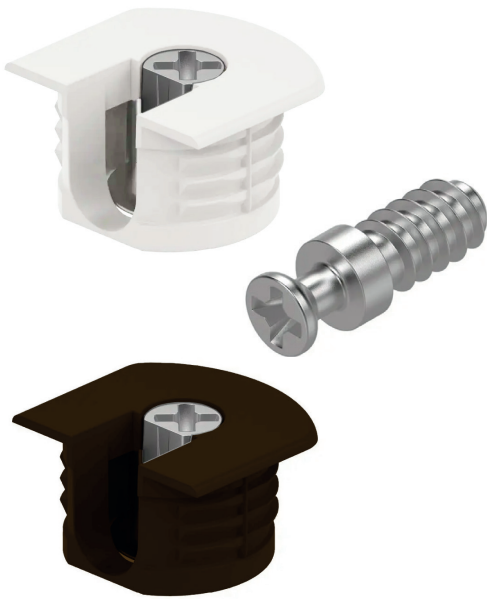
## 34mm Knock-In Dowel

- **Drilling Dimension:** 34mm.
- **Total Length (L + L1):** 39.5mm.
- **Head Diameter (Ø):** 8mm.
- **Thread Length (F):** 34mm.
- **Material:** Iron.
- **Finish:** Zinc Plated.
- **Pack Size:** 2,000 pieces.
- **Weight per Pack:** 8.7kg.

CODE	F	Ø	L	L1
CFK610	34mm	8mm	11mm	28,5mm

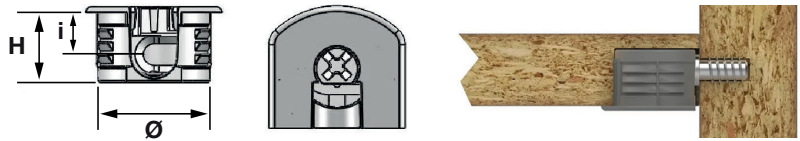


# CONNECTOR HOUSING



- **Material:** Zinc Alloy & Plastic.
- **Finish:** White or Brown.
- **Pack Size:** 3,000 pieces.

CODE	Ø	F	H	I	SHELF THICKNESS	FINISH
CFK611	20mm	9.5mm	12.5mm	8mm	15/16mm	White
CFK612	20mm	9.5mm	12.5mm	8mm	15/16mm	Brown
CFK613	20mm	9.5mm	14mm	9.5mm	18/20mm	White
CFK614	20mm	9.5mm	14mm	9.5mm	18/20mm	Brown



# CONNECTOR HOUSING DOWEL



- **Material:** Zinc Alloy.
- **Pack Size:** 5,000 pieces.

CODE	Ø	L	L1
CFK616	5mm	7.5mm	6.1mm
CFK615	5mm	11mm	6.1mm

