

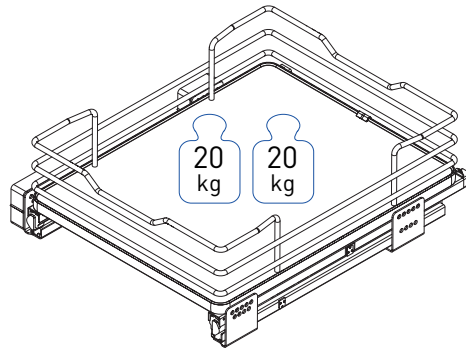
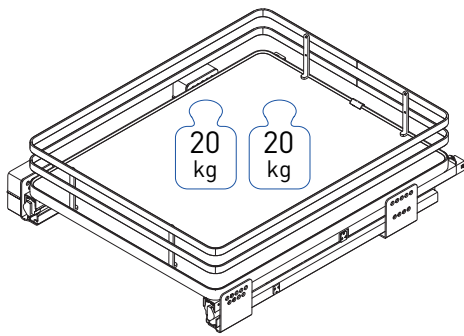
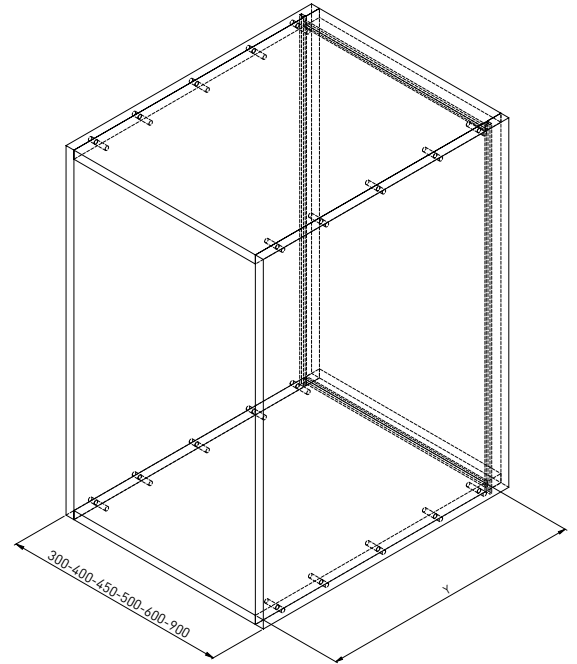


Fitting Instructions: SELECT Pull Out Drawer

www.questhardware.co.uk
01280 822062

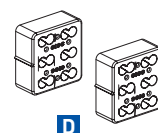
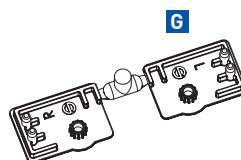
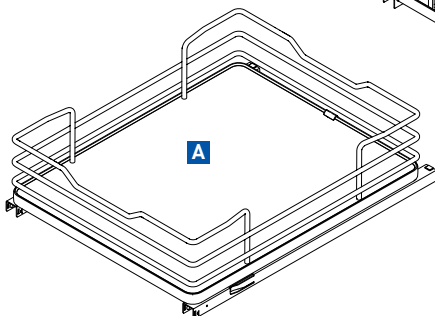
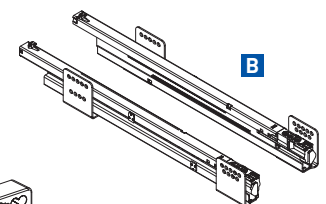
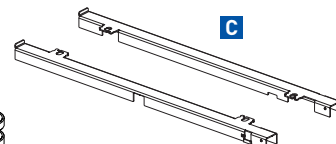
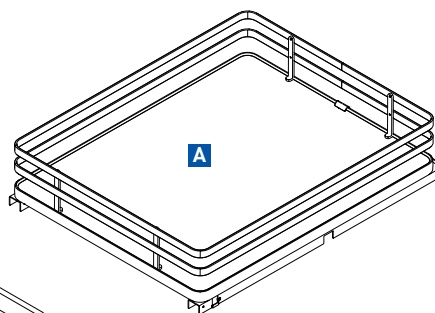
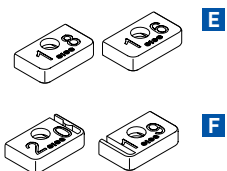
PARTS

- A. N°1 Basket
- B. N°1 Drawer Runners Kit
- C. N°1 Drawer Runners Cover Kit
- D. N°2 Spacers
- E. N°4 Side Cabinet Spacers 16/18mm
- F. N°4 Side Cabinet Spacers 19/20mm
- G. N°4 Cap



Y	P 455	P 505
P MIN	455	505

Y: minimum internal cabinet depth



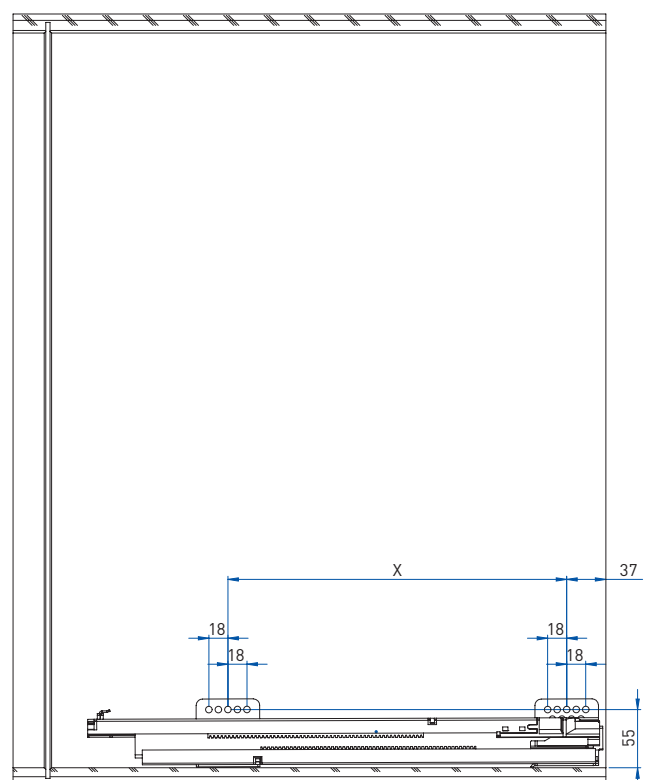
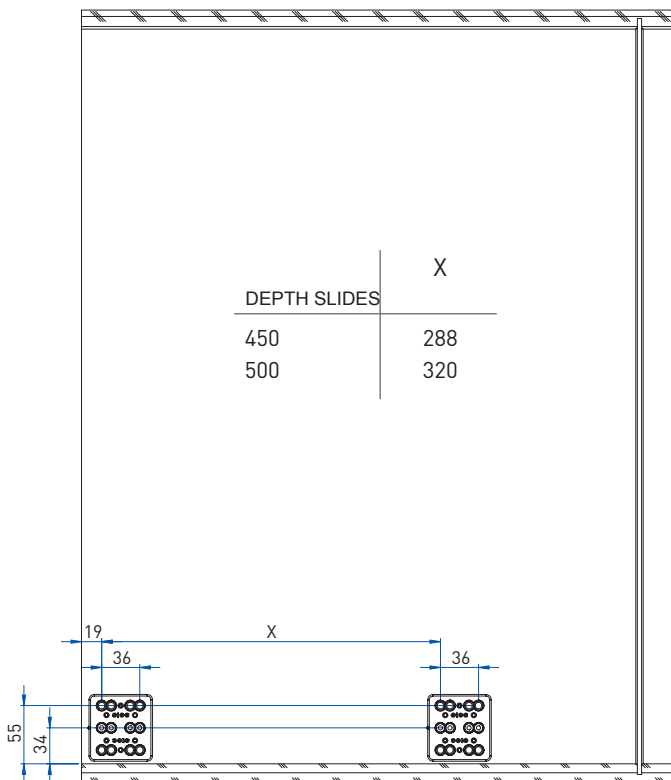
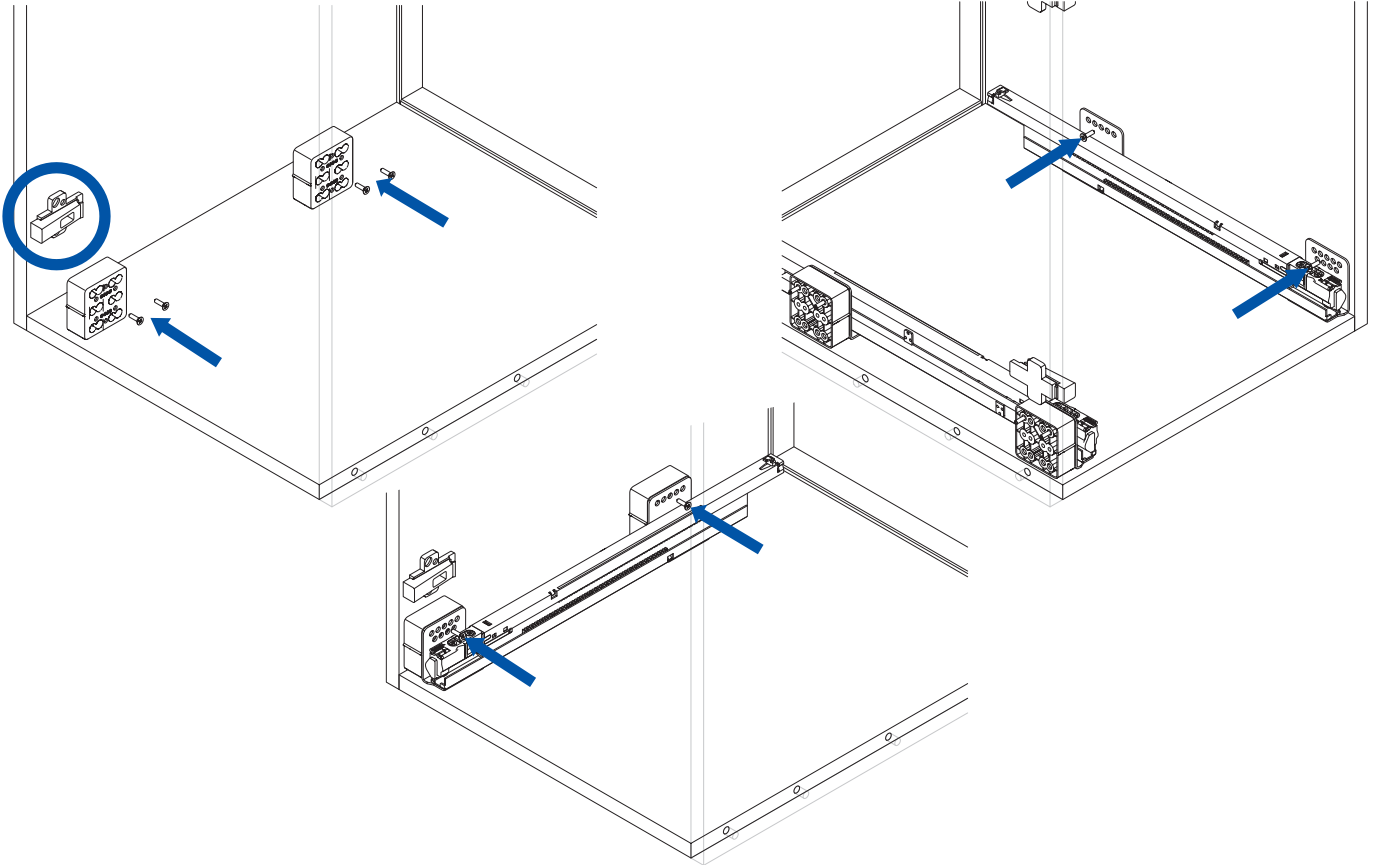
N°12 4x16



1

Screw the spacers "D" on the hinge side of the furniture respecting the quotes and then screw the slides "B" on the spacer "D".

N.B.: use n. 4 spacers for the furniture of mm. 900

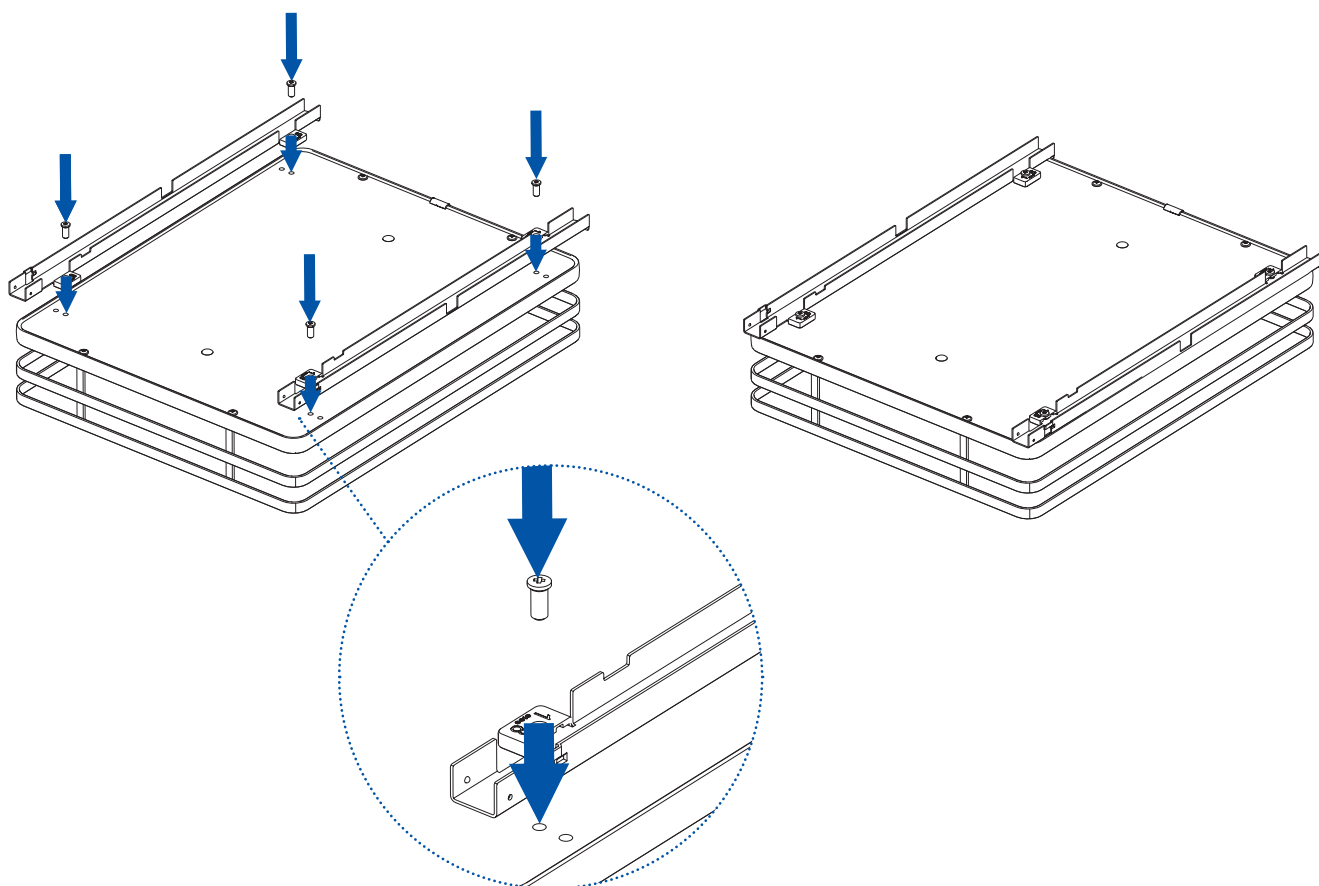
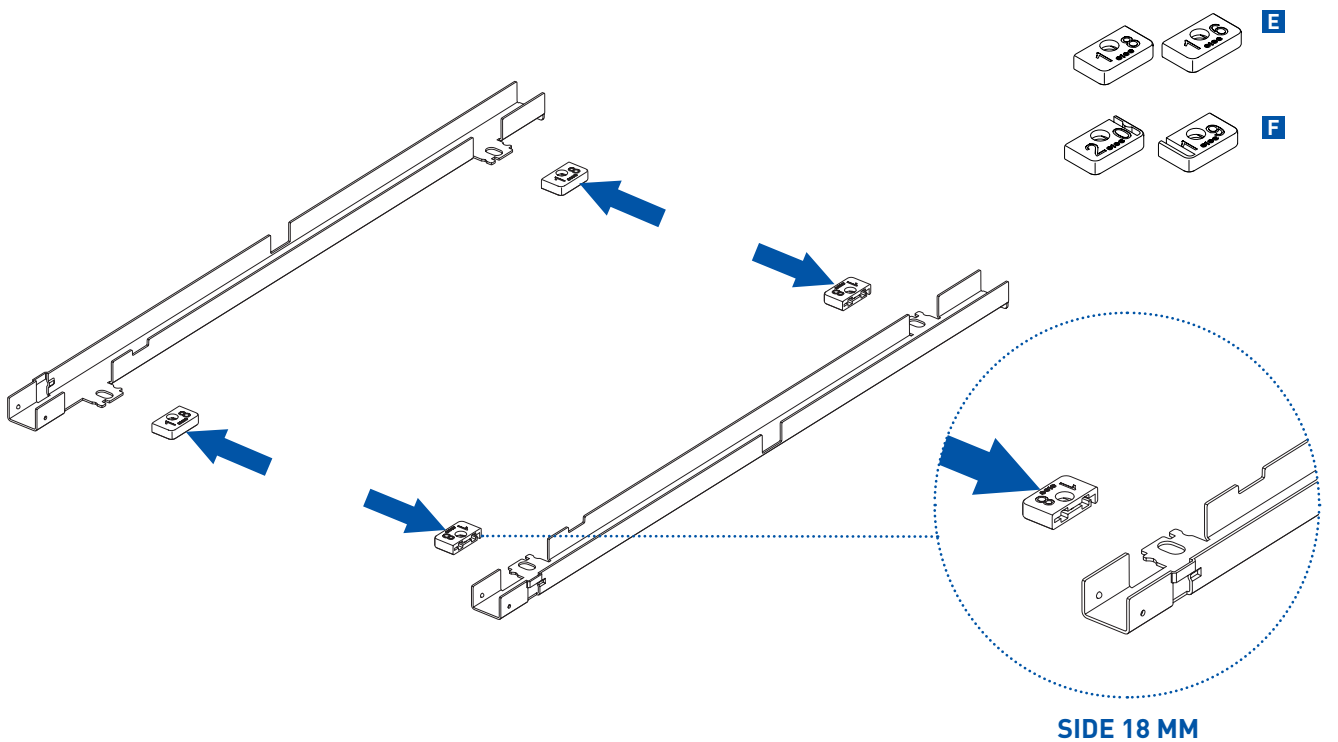


N°4 6.3x14



2

Choose the component "E" or "F" depending on the furniture's side. Put the component into the cover "C" and fix it on the bottom by using the euro screw.



3

Pull out the slides "B" and hang the baskets "A" on the slides; insert the cap "G" as in the picture.

