



SELECT Wooden Magnetic Catches





Soft Close Wooden Magnetic Catch

The Soft Close Magnetic Catch is a practical solution for secure and quiet cabinet doors. Designed with flexibility in mind, it offers two door setup options to suit different needs: customers can either install a magnet in the door to attract the wooden magnetic catch or use an adhesive plate for quick and easy attachment.

Key Features and Benefits

- **Soft-Close Pistons:** Gently closes cabinet doors, preventing slamming and reducing wear over time.
- **Flexible Door Setup Options:** Choose between installing a magnet in the door for a secure hold or attaching an adhesive plate to the door, depending on the application.
- **Unlacquered Wooden Components:** Made from oak or walnut, ready to stain, paint, or oil to match cabinet finishes.
- **Left-Hand and Right-Hand Components Included:** Compatible with all cabinet orientations.
- **Compact Design:** Fits easily into cabinetry while maintaining reliable performance.
- **Magnet Strength:** 2kg pull.

What's Included

(Magnets are pre-assembled for fast and simple installation.)

- **1** Left-Hand Wooden Component (Unlacquered Oak or Walnut)
- **1** Right-Hand Wooden Component (Unlacquered Oak or Walnut)
- **2** Soft-Close Pistons (CFE455)
- **2** Magnets (CFH351)
- **2** Adhesive Plates (CFE417) for quick door attachment



Unlacquered Oak



Unlacquered Walnut



Adhesive Plate

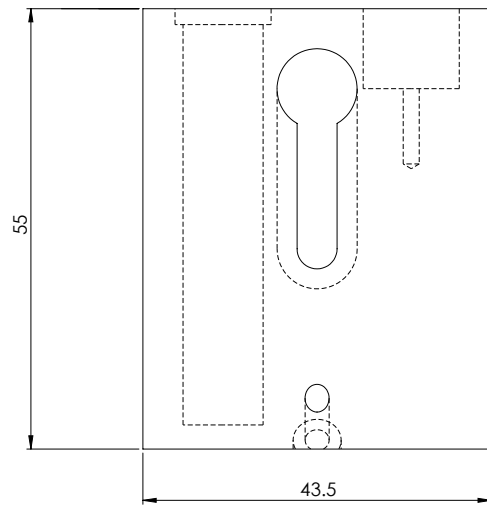
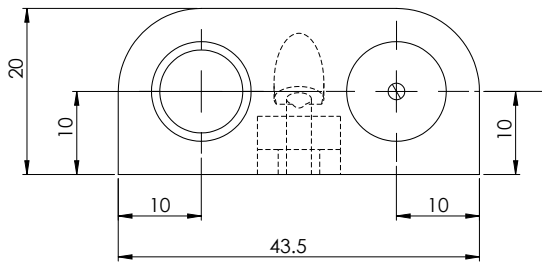


Magnets

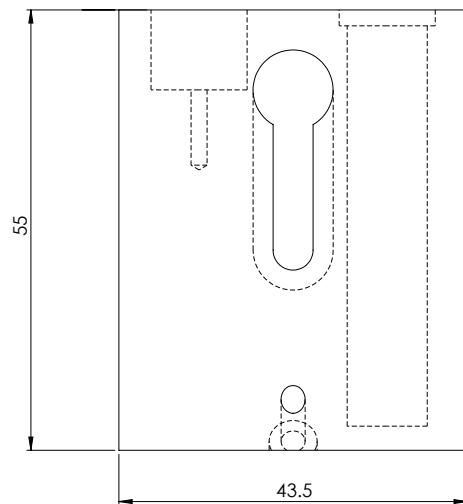
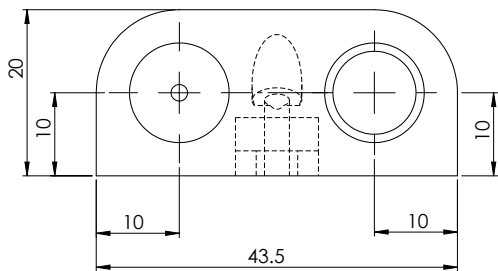
CODE	FINISH
CFH504	Unlacquered Oak
CFH505	Unlacquered Walnut

Technical Drawings

Left Hand



Right Hand





Single Door Wooden Magnetic Catch

The SELECT Single Door Wooden Magnetic Catch provides a simple, discreet solution for holding cabinet doors closed. Designed for timber-led interiors, it combines a natural wooden finish with a compact, reliable magnetic hold, without introducing visible metal hardware.

Key Features and Benefits

- **Unlacquered Wooden Components:** Made from oak or walnut, ready to stain, paint, or oil to match cabinet designs.
- **Door Fixings Pre-Supplied:** Supplied with a self-adhesive catch plate for the door.
- **Compact Design:** Small footprint fits neatly within cabinetry.
- **Installer-Friendly:** Supplied pre-assembled.
- **Magnet Strength:** 2kg pull.

What's Included

(Magnets are pre-assembled for fast and simple installation.)

- **1** Wooden Components (Unlacquered Oak or Walnut)
- **1** Adhesive Plates (CFE417) for quick door attachment

CODE	FINISH
CFH508	Unlacquered Oak
CFH509	Unlacquered Walnut

Optional Extra

CODE	FINISH
CFH350	Knock-in Magnet



Unlacquered Oak



Adhesive Plate

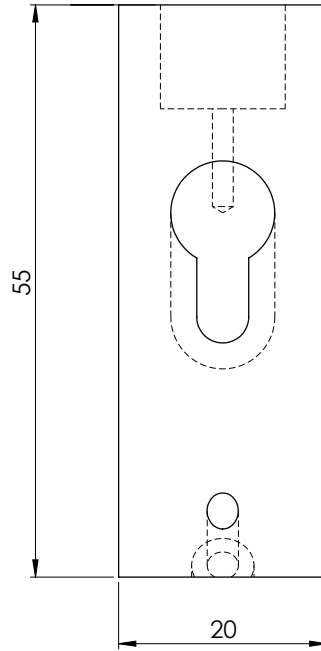
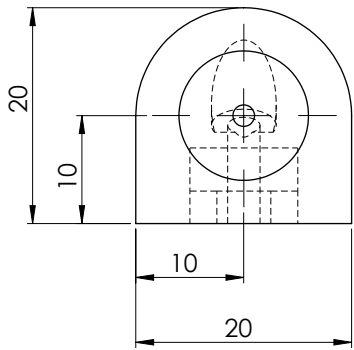


Unlacquered Walnut



Magnet (Optional Extra)

Technical Drawings





Double Door Wooden Magnetic Catch

The SELECT Double Door Wooden Magnetic Catch provides a simple, discreet solution for holding cabinet doors closed. Designed for timber-led interiors, it combines a natural wooden finish with a compact, reliable magnetic hold, without introducing visible metal hardware.

Key Features and Benefits

- **Unlacquered Wooden Components:** Made from oak or walnut, ready to stain, paint, or oil to match cabinet designs.
- **Door Fixings Pre-Supplied:** Supplied with a self-adhesive catch plate for the door.
- **Compact Design:** Small footprint fits neatly within cabinetry.
- **Installer-Friendly:** Supplied pre-assembled.
- **Magnet Strength:** 2kg pull.

What's Included

(Magnets are pre-assembled for fast and simple installation.)

- **1** Wooden Components (Unlacquered Oak or Walnut)
- **2** Adhesive Plates (CFE417) for quick door attachment



Unlacquered Oak



Adhesive Plate

CODE	FINISH
CFH506	Unlacquered Oak
CFH507	Unlacquered Walnut

Optional Extra

CODE	FINISH
CFH350	Knock-in Magnet



Unlacquered Walnut



Magnet
(Optional Extra)

Technical Drawings

