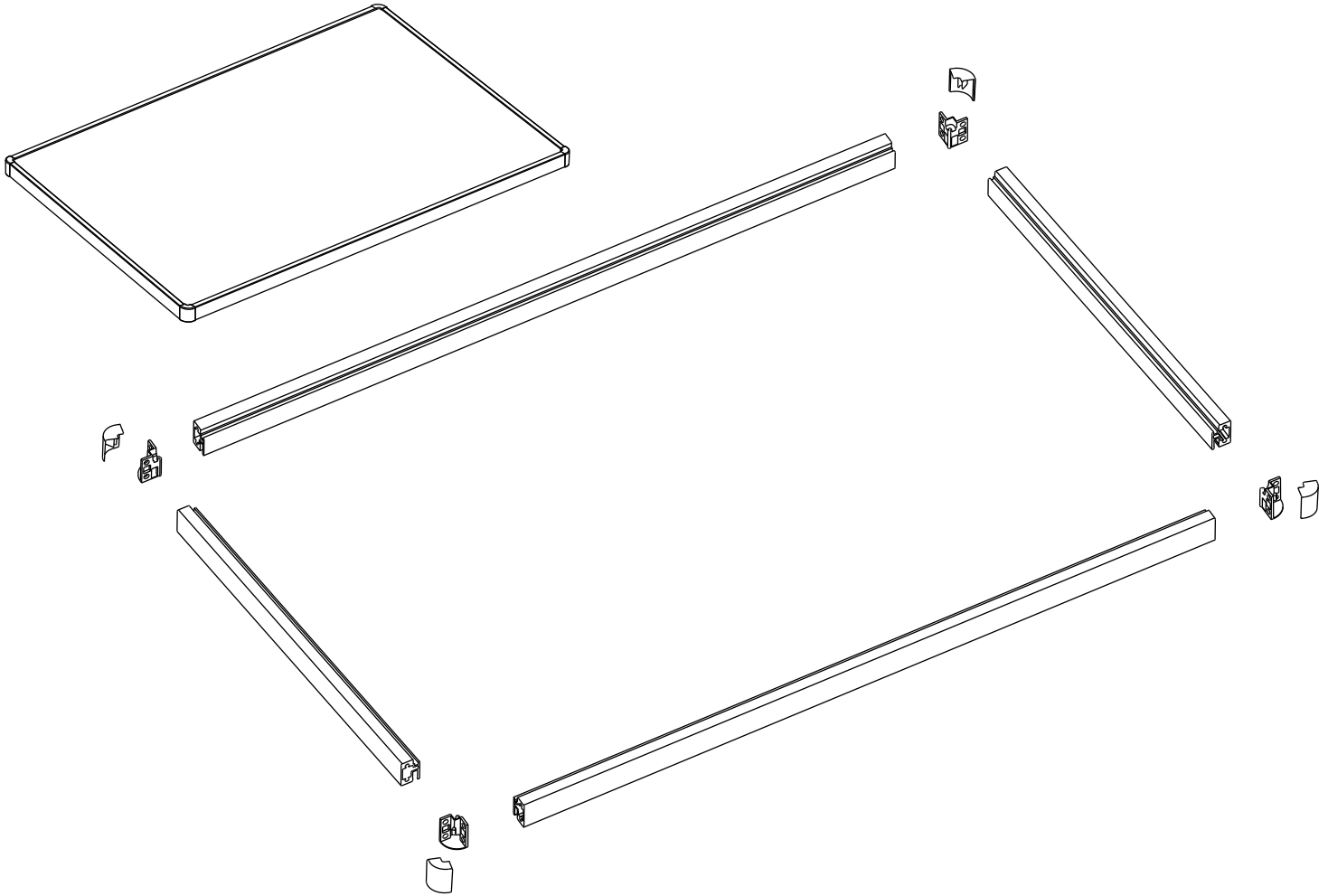
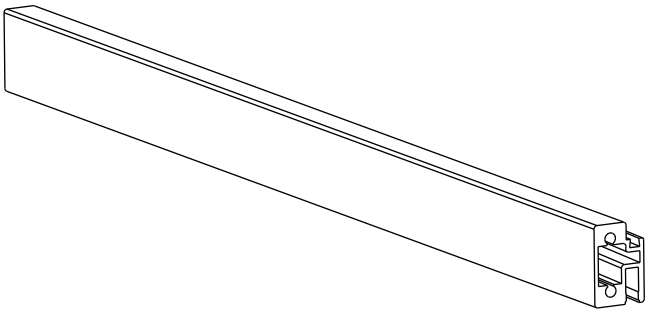


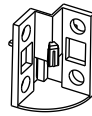
# Select Mira Shelf Components



Aluminum frame profile



Assembly kit



Angle brackets

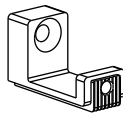


Cover

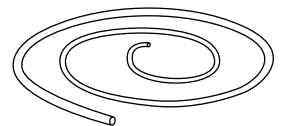


Screws

Shelf supports



Silicone gasket



## Not supplied:

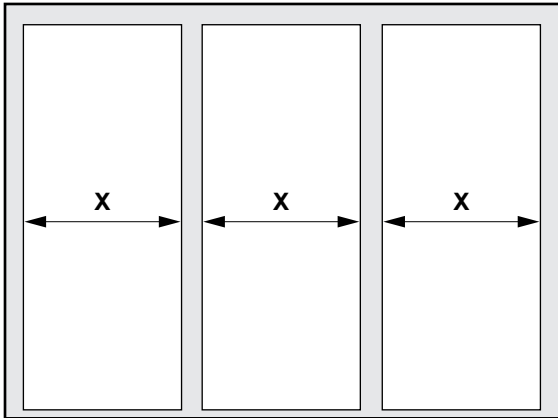
4mm Glass

LED

# Select Mira Shelf

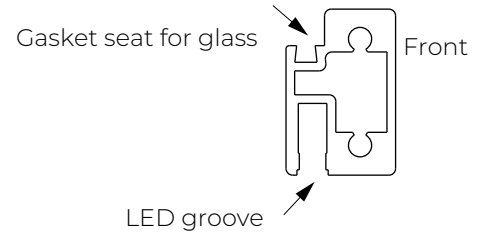
## Custom Cutting Instructions

### Wardrobe



### PROFILE LIST

#### FRAME PROFILE



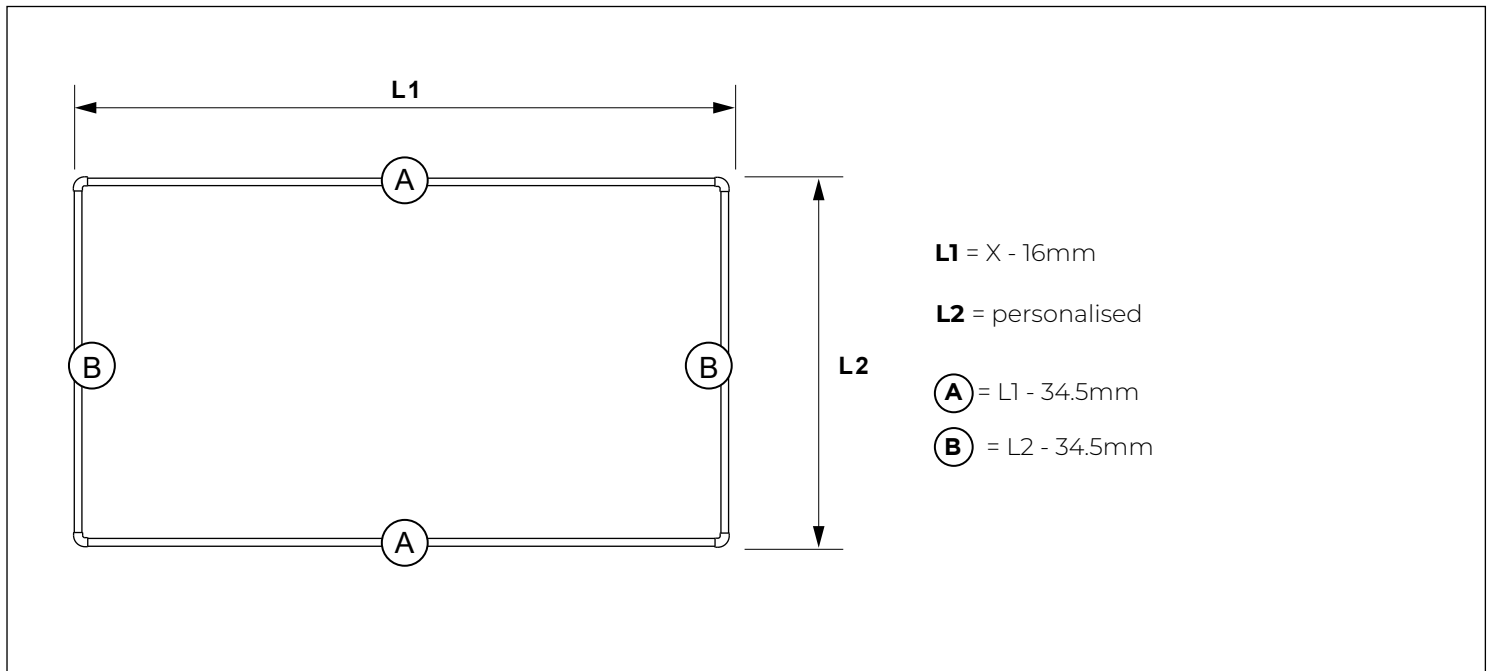
### LEGEND

**X** = wardrobe opening width  
**L1** = shelf width  
**L2** = shelf depth

**A** = width cutting size  
**B** = depth cutting size

### PROFILE CUTTING INDICATIONS

The overall dimensions (L1, L2) are calculated based on the aluminum profiles and not from the zamak details

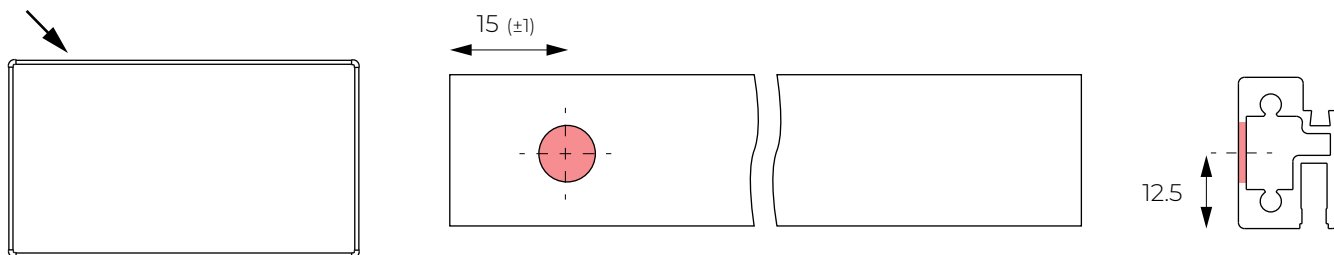


### GLASS CUTTING INDICATIONS

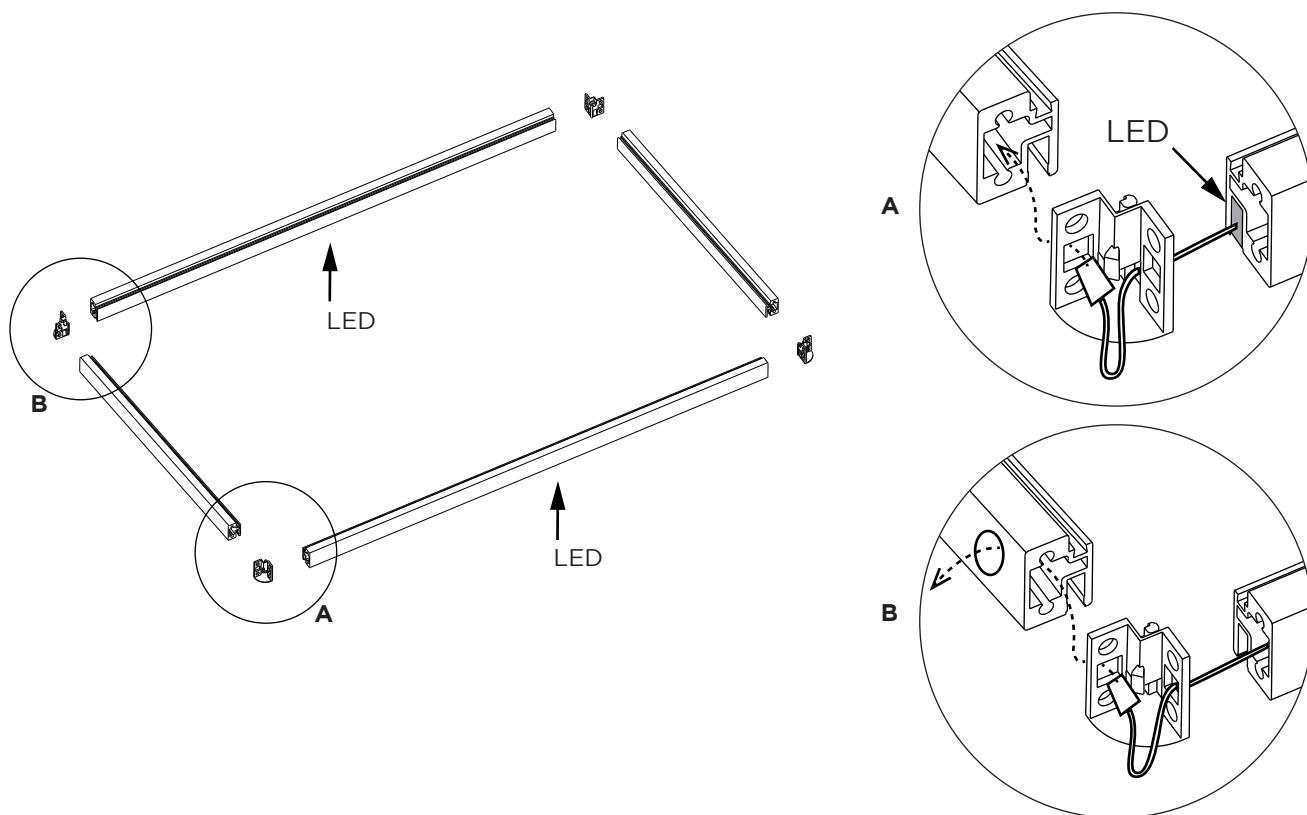
Width cutting size =  $L1 - 22.5\text{mm}$   
 Depth cutting size =  $L2 - 22.5\text{mm}$

# Select Mira Shelf Assembly Instructions

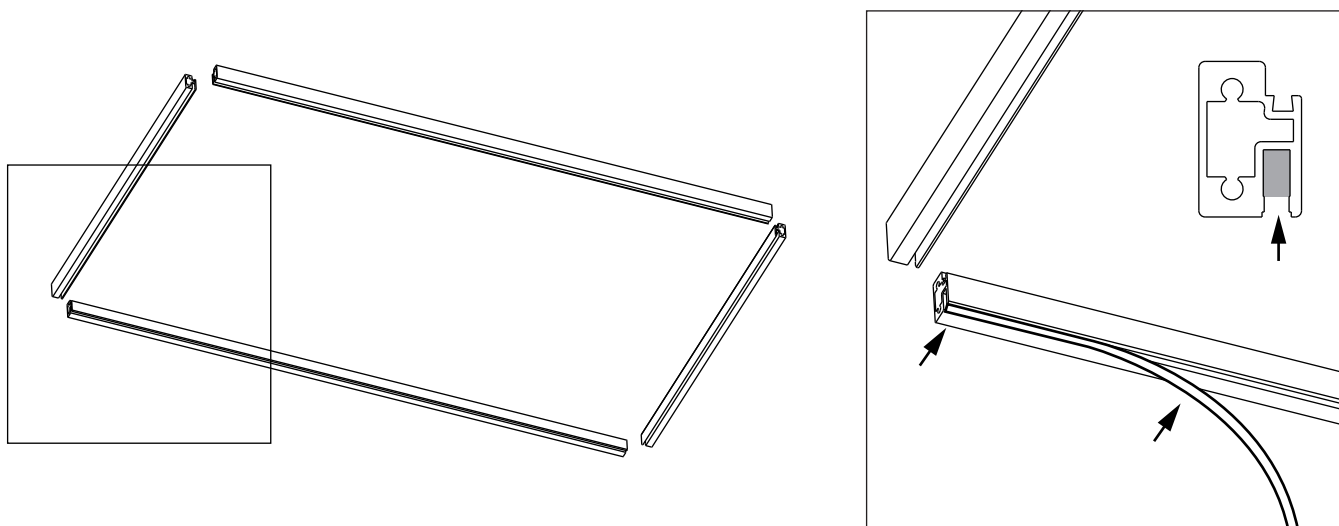
- 1a ONLY FOR LED**  
Make 1 or 2 holes  $\varnothing 10\text{mm}$  on the back of the rear profile



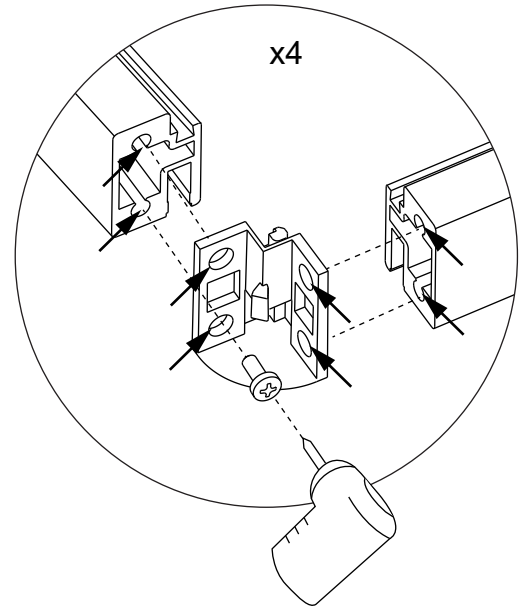
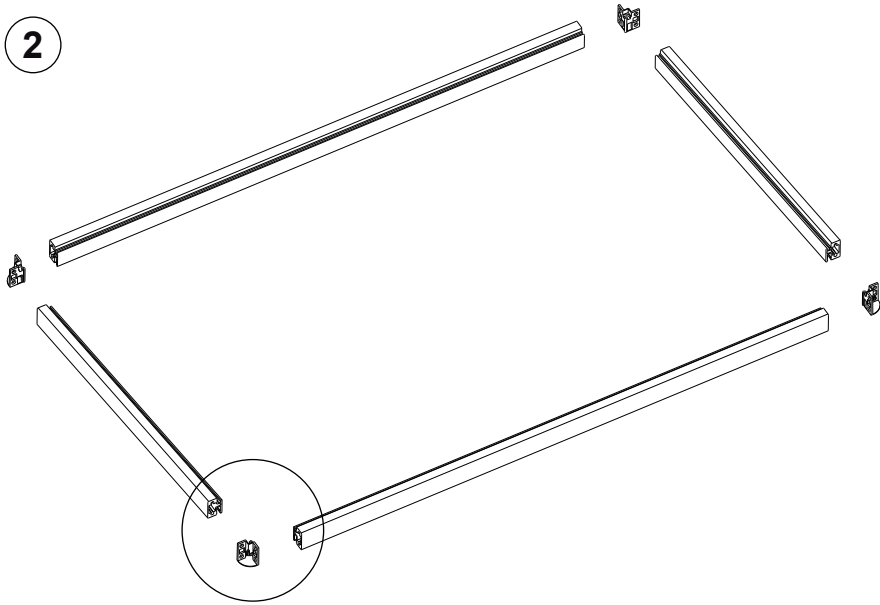
- 1b LED positioning**  
Before assembly, bring the cable out at the back of the shelf



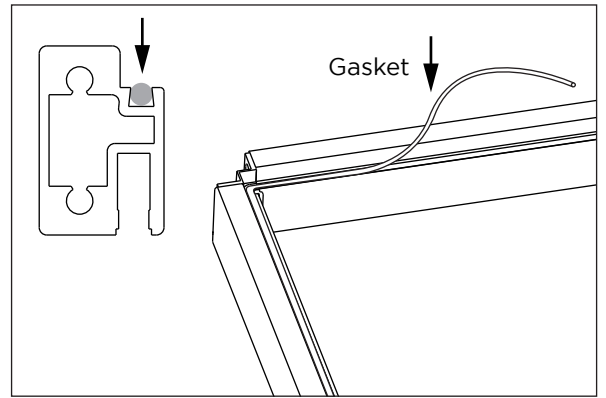
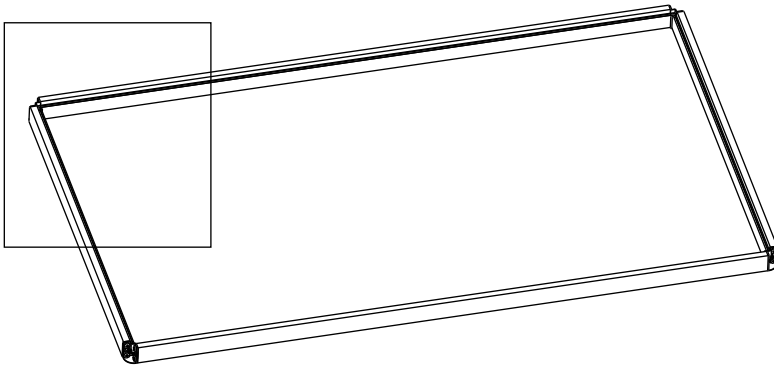
- 1c** Insert the LED into the appropriate groove



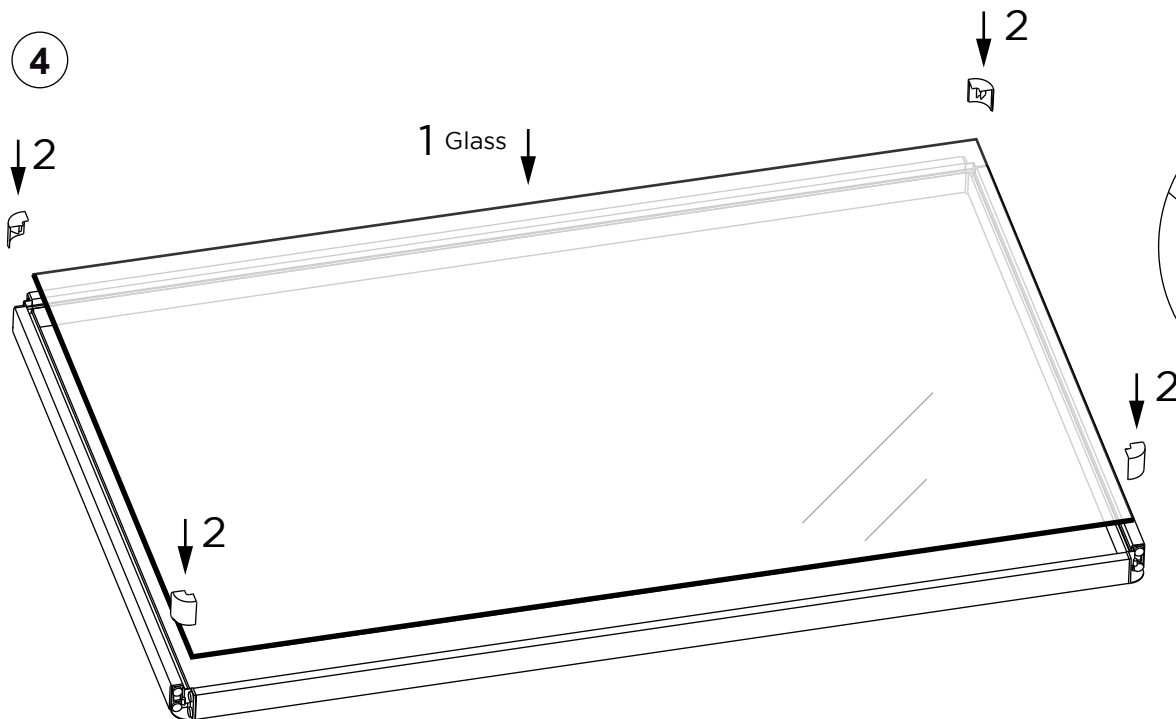
2



3



4



**5** Fit the shelf supports in the wardrobe



Screws recommended: self-tapping screw TPS Ø 3.5



**6** Place the fixed shelf on the shelf supports and screw the 4 grub screws with the hexagonal key

